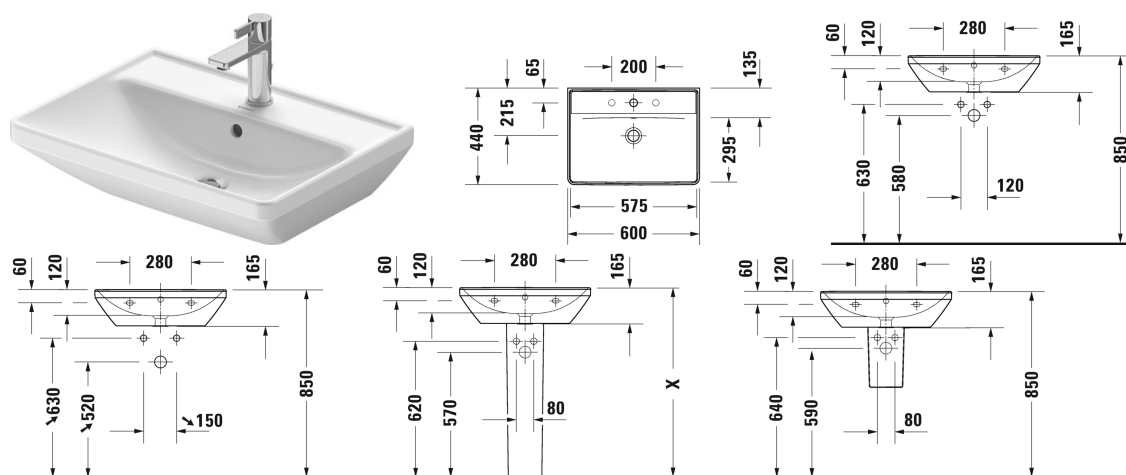


**D-Neo Washbasin # 2366600000 / 2366600060**

| &lt; 600 mm &gt; |



Washbasin	Dimension	Weight	Order number
with overflow, with tap platform, underneath glazed, 600 mm			
<b>Colors</b>			
00 White Alpin			
<b>Variant</b>			
●	600 x 440 mm	17.800 kilogram	2366600000
⊗	600 x 440 mm	17.800 kilogram	2366600060
Sanitary ceramics with the special WonderGliss surface finish will remain clean and attractive-looking for a long time to come. When ordering WonderGliss please add a "1" as eleventh digit to the model number.			
Design Siphon		1.500 kilogram	005036
<b>Suitable products</b>			
Siphon cover for # 236655, 236660, 236665, 236760, 236765, 236780, 236710,			085843
Pedestal for # 236655, 236660, 236665, 236760, 236765, 236780, 236710,			085842
<b>Recommended faucets</b>			
Single lever basin mixer M ceramic cartridge, Projection 113 mm, flexible connection hoses 9,53 mm (3/8"), aerator adjustable, normal spray, recommended operating pressure 1 - 5 bar, with pop-up waste set,			C11020001

Single lever basin mixer M ceramic cartridge, Projection 139 mm, flexible connection hoses 9,53 mm (3/8"), aerator adjustable, normal spray, chrome, maximum temperature can be adjusted on installation, recommended operating pressure 1 - 5 bar, with pop-up waste set,	B11020001
Single lever basin mixer M ceramic cartridge, Projection 139 mm, flexible connection hoses 9,53 mm (3/8"), aerator adjustable, normal spray, chrome, maximum temperature can be adjusted on installation, recommended operating pressure 1 - 5 bar, with pop-up waste set,	B21020001
Single lever basin mixer for concealed installation normal spray, ceramic cartridge, aerator adjustable, connection type: basic set for concealed installation, includes: visible parts, recommended operating pressure 1 - 5 bar, Projection 174 mm,	C11070003
Single lever basin mixer M ceramic cartridge, Projection 139 mm, flexible connection hoses 9,53 mm (3/8"), aerator adjustable, normal spray, chrome, maximum temperature can be adjusted on installation, recommended operating pressure 1 - 5 bar, without pop-up waste set,	B11020002
Single lever basin mixer for concealed installation normal spray, ceramic cartridge, aerator adjustable, connection type: basic set for concealed installation, includes: visible parts, recommended operating pressure 1 - 5 bar, Projection 225 mm,	C11070004
Single lever basin mixer M ceramic cartridge, Projection 139 mm, flexible connection hoses 9,53 mm (3/8"), aerator adjustable, normal spray, chrome, maximum temperature can be adjusted on installation, recommended operating pressure 1 - 5 bar, without pop-up waste set,	B21020002
Single lever basin mixer M ceramic cartridge, projection 107 mm, flexible connection hoses 9,53 mm (3/8"), normal spray, chrome, maximum temperature can be adjusted on installation, recommended operating pressure 1 - 5 bar, with pop-up waste set,	A11020001
Single lever basin mixer M ceramic cartridge, projection 107 mm, flexible connection hoses 9,53 mm (3/8"), normal spray, chrome, maximum temperature can be adjusted on installation, recommended operating pressure 1 - 5 bar, without pop-up waste set,	A11020002
Single lever basin mixer M ceramic cartridge, Projection 109 mm, flexible connection hoses 9,53 mm (3/8"), aerator adjustable, normal spray, chrome, maximum temperature can be adjusted on installation, recommended operating pressure 1 - 5 bar, with pop-up waste set,	DE1020001
Single lever basin mixer M ceramic cartridge, Projection 109 mm, flexible connection hoses 9,53 mm (3/8"), aerator adjustable, normal spray, chrome, maximum temperature can be adjusted on installation, recommended operating pressure 1 - 5 bar, without pop-up waste set,	DE1020002
Single lever basin mixer M FreshStart ceramic cartridge, in centre position cold water, Projection 109 mm, flexible connection hoses 9,53 mm (3/8"), aerator adjustable, normal spray, chrome, maximum temperature can be adjusted on installation, recommended operating pressure 1 - 5 bar, with pop-up waste set,	DE1021001

Single lever basin mixer M FreshStart ceramic cartridge, in centre position cold water, Projection 109 mm, flexible connection hoses 9,53 mm (3/8"), aerator adjustable, normal spray, chrome, maximum temperature can be adjusted on installation, recommended operating pressure 1 - 5 bar, without pop-up waste set,	DE1021002
Single lever basin mixer M ceramic cartridge, projection 106 mm, flexible connection hoses 9,53 mm (3/8"), normal spray, flow rate 5,0 l/min (3 bar), connection size DN15, chrome, recommended operating pressure 1 - 5 bar, with pop-up waste set,	N11020001
Single lever basin mixer M ceramic cartridge, projection 106 mm, flexible connection hoses 9,53 mm (3/8"), normal spray, flow rate 5,0 l/min (3 bar), connection size DN15, chrome, recommended operating pressure 1 - 5 bar, without pop-up waste set,	N11020002
Single lever basin mixer M FreshStart ceramic cartridge, in centre position cold water, projection 106 mm, flexible connection hoses 9,53 mm (3/8"), normal spray, flow rate 5,0 l/min (3 bar), connection size DN15, chrome, recommended operating pressure 1 - 5 bar, with pop-up waste set,	N11021001
Single lever basin mixer M FreshStart ceramic cartridge, in centre position cold water, projection 106 mm, flexible connection hoses 9,53 mm (3/8"), normal spray, flow rate 5,0 l/min (3 bar), connection size DN15, chrome, recommended operating pressure 1 - 5 bar, without pop-up waste set,	N11021002
Single lever basin mixer M MinusFlow ceramic cartridge, projection 106 mm, flexible connection hoses 9,53 mm (3/8"), normal spray, flow rate 3,5 l/min (3 bar), connection size DN15, chrome, recommended operating pressure 1 - 5 bar, with pop-up waste set,	N11022001
Single lever basin mixer M MinusFlow ceramic cartridge, projection 106 mm, flexible connection hoses 9,53 mm (3/8"), normal spray, flow rate 3,5 l/min (3 bar), connection size DN15, chrome, recommended operating pressure 1 - 5 bar, without pop-up waste set,	N11022002

*All drawings contain the necessary measurements which are subject to standard tolerances. They are stated in mm and are non-binding. Exact measurements, in particular for customised installation scenarios, can only be taken from the finished ceramic piece.*