

## Features

- Anodized aluminum construction with a durable rust-free and chip-free finish.
- Vertically adjustable 3x magnifying mirror on inside of door.
- Nine adjustable tempered-glass shelves.
- Triple doors with full-overlay mirrors.
- Mirrored interior.
- Slow-close doors prevent slamming.
- Two-way adjustable hinges with 110-degree opening capability for easy cabinet access.
- Can be installed with left- or right-hand swing.
- Includes mounting hardware for surface or recessed installation.
- Requires K-99012 or K-99675 side mirror kit (sold separately) for surface mount installation.

## Material

- Anodized aluminum.

## Required Accessories

K-99675 Medicine Cabinet Wood Side Kit

or

K-99012 Side Mirror Kit

## Recommended Accessories

K-99661-15 Medicine Cabinet Surround

K-99661-24 Medicine Cabinet Surround

K-99661-40 Medicine Cabinet Surround

K-99662-40 Medicine Cabinet Surround

K-99663-40 Medicine Cabinet Surround

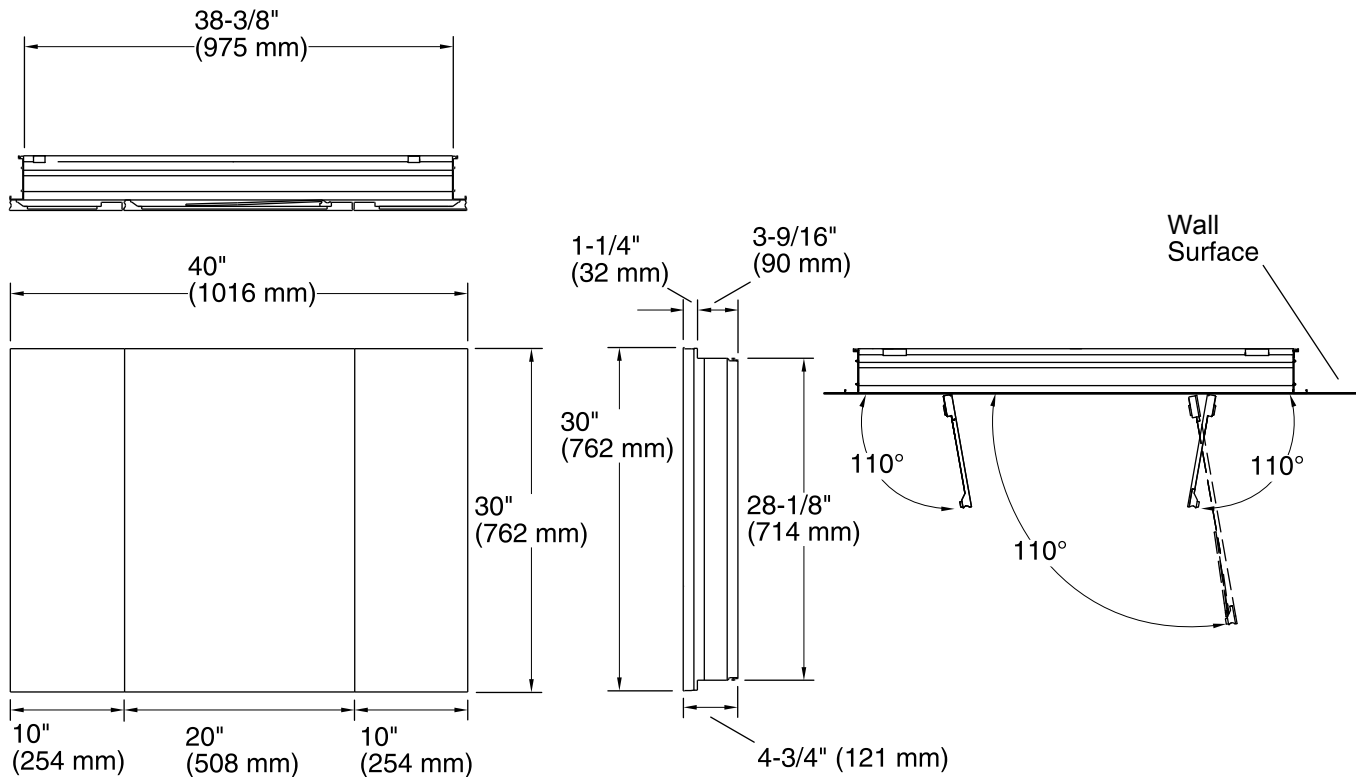


## Codes/Standards

None Applicable

## KOHLER® One-Year Limited Warranty

See website for detailed warranty information.



## Technical Information

All product dimensions are nominal.

### Recess-Mount Cutout:

Width:	38-1/2" (978 mm)
Height:	28-1/4" (718 mm)
Depth:	3-11/16" (94 mm)

## Notes

Install this product according to the installation guide.

Cutout for recess-mount installation: 38-1/2" (978 mm) width x 28-1/4" (718 mm) height x 3-11/16" (94 mm) depth

**IMPORTANT!** For recess mounting, the wall cavity must be framed and cabinet secured to framing studs. Reroute any electrical wires or water supply piping from the wall cavity. If you encounter drain or vent piping, or if your wall is load-bearing, consult a professional before proceeding.

**CAUTION:** Risk of property damage. For surface mounting, use anchors (not provided) rated for the loaded weight of this product. Refer to the anchor manufacturer's instructions.

When determining the height of the cabinet, ensure the mirrored door will clear all obstacles (such as a faucet and lighting). A minimum distance of 3" (76 mm) is required.