

### Features

- Integral flange.
- Left drain.
- Integral lumbar support.
- Integral apron.
- 60" (1524 mm) x 30-1/4" (768 mm) x 14-1/2" (368 mm)

### Material

- Cast iron with Safeguard® finish.

### Installation

- Alcove

### Recommended Accessories

K- 7259 Clearflo Bath Drain

K- 37380 30" Rough-in Cable Bath Drain

K- 37383 30" Rough-in Cable Bath Drain



ADA

CSA B651

OBC

### Codes/Standards

ASME A112.19.1/CSA B45.2

ASTM F462

ADA

ICC/ANSI A117.1

CSA B651

OBC






### KOHLER® Lifetime Limited Warranty for Cast Iron Components

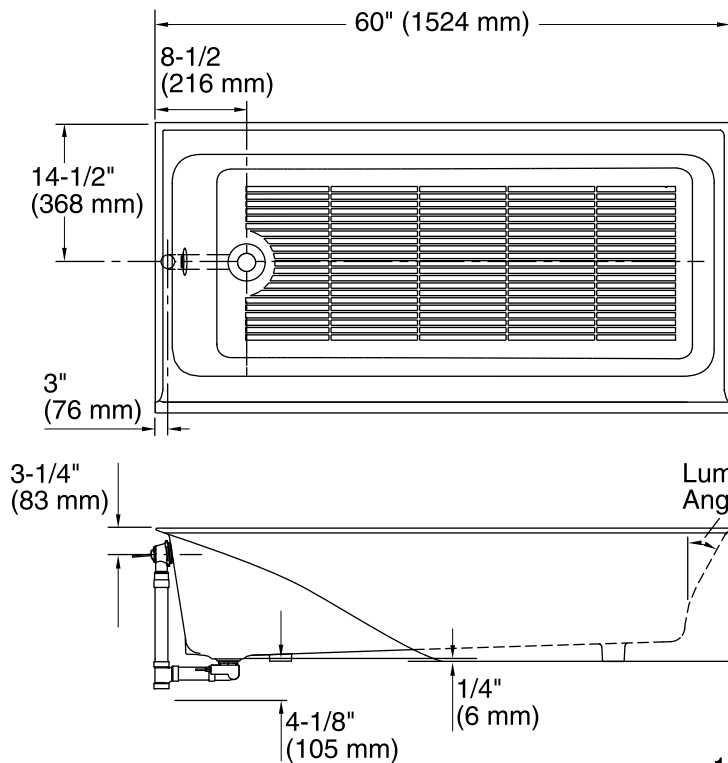
See website for detailed warranty information.

### Available Color/Finishes

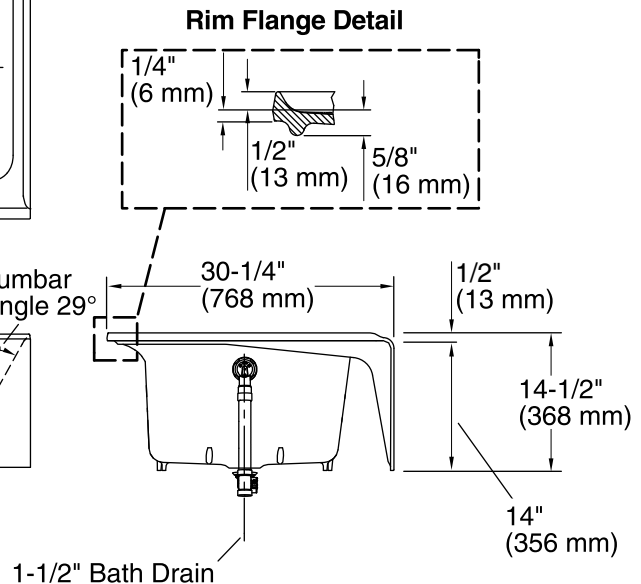
*Color tiles intended for reference only.*

Color	Code	Description
-------	------	-------------

	0	White
	96	Biscuit
	47	Almond
	NY	Dune
	G9	Sandbar



No change in measurement if connected with drain illustrated. (K-37383)



### Technical Information

All product dimensions are nominal.

Installation:	3-Wall Alcove
Drain location:	Left
Basin area, bottom:	48-3/4" x 19-5/16" (1238 mm x 491 mm)
Basin area, top:	54-11/16" x 21-3/16" (1389 mm x 538 mm)
Weight:	310 lbs (140.6 kg)
Minimum floor load:	52 lbs/ft <sup>2</sup> (253.9 kg/m <sup>2</sup> )
Water depth:	9" (229 mm)
Water capacity:	32.6 gal (123.4 L)

### Notes

Measure your actual product for rough-in details.

Install this product according to the installation instructions.

The hot water supply should be 70% of the capacity of the bath or greater. Installations will vary.

ADA, OBC, CSA B651 compliant when installed to the specific requirements of these regulations.