

P-158B Fan Assembly Replacement Installation Instructions

SL 30-175, SL 45-260







Warning

This replacement kit shall be installed by a qualified service agent in accordance with these instructions and all applicable codes and requirements of the authority having jurisdiction. If the information in these instructions is not followed exactly a fire, an explosion or production of carbon monoxide may result causing property damage, personal injury or loss of life.

The qualified service agency is responsible for the proper installation of this kit. The installation is not proper and complete until the operation is checked as specified in these instructions.

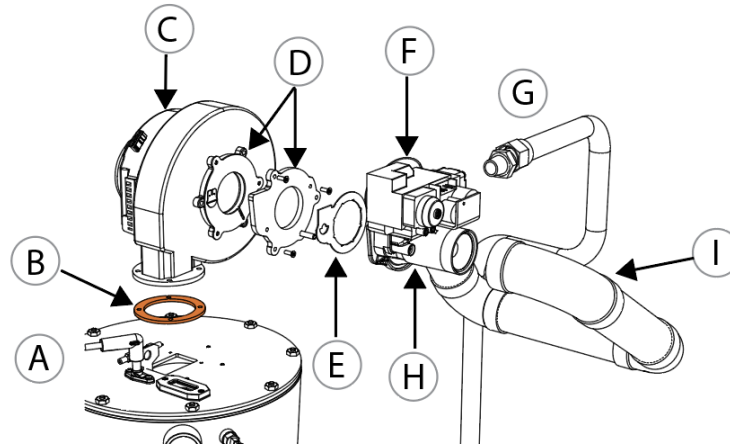
When you order the P-158B kit from the wholesaler, you will receive:

Fan Assembly - SL 30-175, SL 45-260				
	Part #	Description	Quantity	
	150-123	Venturi cork gasket	1	
	150-222	Screws, Torx M4x16	3	
	240-048	Fan, (RG137-120V)	1	
	250-322	Fan gasket, lid To Fan	1	
	250-379	Gas Valve Adapter Plate	1	
	250-401	Fan Adapter Plate Gasket* Shipped pre-assembled to Fan Adapter Plate and Fan	1	
	250-421	Test Port Tube, CVI Plate	1	

When to Install the P-158B Fan Assembly Replacement Kit

Install the P-158B kit if you need to replace a failed or mechanically-damaged fan in an SL 30-175, SL 45-260 boiler.

Fan / Mixer, Gas Valve and Heat Exchanger Assembly SL 30-175, SL 45-260



Item Number	Description
A	Heat Exchanger
B	Fan-Lid Gasket
C	Fan / Mixer
D	Fan Adapter Plate and Fan Adapter Plate Gasket
E	Venturi Cork Gasket
F	Gas Valve
G	Gas Line
H	Venturi
I	Snorkel

Note

A ladder or step may be required to have a clear vertical view of the work area.

Do not attempt to remove the assemblies without a clear view, as damage to the connectors, screws or refractory may occur.

Removal of SL 30-175, SL 45-260 Fan Assembly

Preparing the Boiler for Servicing

1. Remove call(s) for heat.
2. Remove power to the boiler at a wall switch or a breaker.
3. Shut off gas supply to the boiler.

Do not drain the boiler unless freezing conditions are expected during this procedure.

4. Allow the boiler to cool down.
5. Remove the cabinet top access cover by removing the screws at the top right and left corners; set aside the plate and screws.

Removing the Fan and Gas Valve Assembly

1. Disconnect the snorkel and air pressure hose from the fan / venturi.
2. Unplug both electrical connectors (speed control and power) from the fan.
3. Remove the screw and disconnect the electrical connector from the gas valve.
4. Position wire harnesses out of the way of the heat exchanger lid.
5. Disconnect the flare-fitting nut on the flexible gas supply line.
6. Remove and retain the four 8 mm hex bolts that secure the fan to the lid; remove the fan assembly from the boiler. Discard the fan-to-lid gasket.
7. Remove and retain the two Torx screws that connect the venturi to the fan. Discard the cork gasket.

Reassembly and Start-Up

Reassembling the Fan and Gas Valve Assembly

1. Install the replacement cork gasket between the venturi and the fan adapter plate and install the venturi onto the new fan using the two Torx screws.

2.

Note

If the original fan adapter plate was hexagonal, the supplied plate is an updated design (see [D on page 2](#)).

3. Install the replacement gasket for the fan outlet / to lid connection.
4. Reinstall the fan assembly to the lid using the four-8 mm hex bolts. Tighten the 4 hex bolts hand tight plus $\frac{1}{8}$ turn.
5. Reattach both the fan harness connectors and the gas valve connector.

6. Reattach the flare-fitting nut on the flexible gas supply line.
7. Reinstall the snorkel to the venturi, and the air pressure hose to the fan adapter plate. (If the hose is disconnected from the air pressure sensor, reconnect it to the P2 (black) port.)

Start-Up

1. Turn on gas to the boiler.
2. Turn on power to the boiler.
3. Check connections for leaks during operation.
4. Perform a combustion analysis, and test for proper operation.
5. Reinstall the top service plate to the boiler cabinet.