

*For Residential and Commercial Applications*

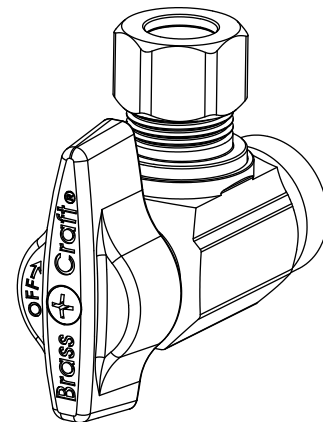
Job Name		Engineer / Architect	
Job Location		Wholesaler	
Submittal Date		Contractor	

## KTR09X / KTR19X 1/4 Turn Angle Ball Stop - Sweat x Compression

**Use:** For use in potable water distribution systems.

**Design Features:**

- **Machined brass ball** is specially engineered and mated with PTFE seats to provide smooth operation without freeze ups even after long periods of non-use
- **Two high-performance o-rings** withstand high temperatures and corrosion from harsh water environments
- **Machined, one-piece brass body** provides strength, durability, and long-lasting performance
- **Brass stem** is assembled from the inside out with two o-rings to ensure safe, reliable performance
- **Plated stem** provides corrosion resistance and prevents o-ring damage after long periods of non-use
- **Exclusive, chrome-plated metal handle** is designed for durability, corrosion resistance, and a sleek appearance
- **Easy-to-remove handle** with screw attachment protects accidental stop operation during rough-ins
- **100% Leak tested**
- **✓ No Lead**



**Operating Specifications:**

**Temperature:** 40°- 180° F  
**Pressure:** 125 PSI maximum

<b>STOP MATERIAL SPECIFICATIONS</b>	
<b>Body</b>	<i>Brass or brass, chrome plated</i>
<b>Stem</b>	<i>Brass, plated</i>
<b>Seat</b>	<i>PTFE</i>
<b>Ball</b>	<i>Brass, plated</i>
<b>Stem o-ring</b>	<i>Rubber</i>
<b>Handle</b>	<i>Zinc, die cast plated</i>
<b>Handle Screw</b>	<i>Zinc-plated steel</i>
<b>Compression Sleeve</b>	<i>Brass</i>
<b>Compression Nut</b>	<i>Brass or brass, chrome plated</i>

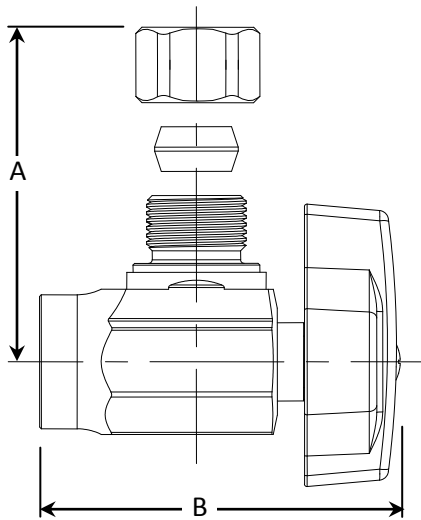
*This specification and all information contained herein is the confidential and exclusive property of BrassCraft Manufacturing, and shall not be disclosed to others without the written consent of BrassCraft Mfg. This specification must be returned to BrassCraft Mfg. if requested.*



# KTR09X / KTR19X 1/4 Turn Angle Ball Stop - Sweat x Compression

**Part Listing:**

- KTR09X C 1/2" nom sweat x 1/4" OD compression, chrome plated
- KTR19X C 1/2" nom sweat x 3/8" OD compression, chrome plated
- KTR19X C1 1/2" nom sweat x 3/8" OD compression, chrome plated, window tray
- KTR19X R 1/2" nom sweat x 3/8" OD compression, rough brass



<b>PART DIMENSIONS (Inches)</b>		
<b>Model</b>	<b>DIM. A</b>	<b>DIM. B</b>
KTR09X	1.06	2.12
KTR19X	1.10	2.12

**Listings & Certifications:**

- IAPMO listed to ASME A112.18.1 / CSA B125.1 (File # 0645)
- CSA listed to ASME A112.18.1 / CSA B125.1 (File # 204593)
- No-Lead product CSA listed to Low-Lead Content Certification Program – Plumbing Products Class 6853-01



*This specification and all information contained herein is the confidential and exclusive property of BrassCraft Manufacturing, and shall not be disclosed to others without the written consent of BrassCraft Mfg. This specification must be returned to BrassCraft Mfg. if requested.*

**BrassCraft®**