

For Residential and Commercial Applications

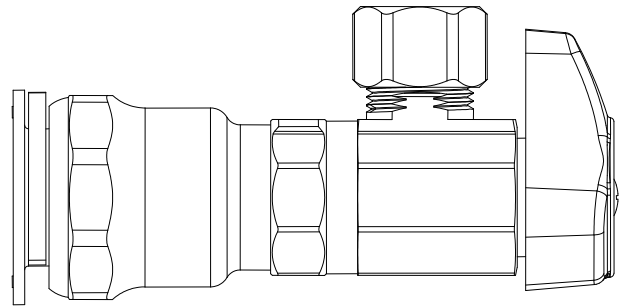
Job Name		Engineer / Architect	
Job Location		Wholesaler	
Submittal Date		Contractor	

G2PC09/ G2PC19 1/4 Turn Push Connect Angle Stop – Compression Outlet

Use: For use in potable water distribution systems. Not intended for recirculating systems that produce continuous use temperatures above 115° F. For those applications, use BrassCraft’s KT series ball stop

Design Features:

- **Compatible with PEX, copper and CPVC**
- **Dual O-rings.** Viton and Nitrile o-rings both provide chemical resistance; the Viton o-ring adds heat resistance & the Nitrile o-ring abrasion resistance
- **Pre-inserted tube stiffener** is “installation ready” for a faster connection
- **Locking clip** adds security to connection while allowing removal if needed
- **Captive removal flange** permits easy removal from tube
- **One-Piece shut-off mechanism** provides smooth on-off operation without freeze ups even after long periods of non-use
- **Positive 1/4 turn shut-off**
- **Easy-to-remove handle** protects against accidental operation during rough-ins
- **100% leak tested**
- **Compliant stops** available for California and Vermont “low-lead” requirements



Operating Specifications:

Temperature: 40° - 140° F
Pressure: 125 psi maximum

Standard

MATERIAL SPECIFICATIONS	
Valve Body	C36000 brass
Stem Barrel	Santoprene
Stem Shaft	Glass-filled polypropylene
Stem O-ring	EPDM
Gripper Ring	Stainless steel
PushConnect O-rings	Viton* & Nitrile rubber
Tube Stiffener	Stainless steel
Locking Clip	Nylon
Removal Flange	Glass-filled nylon
Handle	Zinc die cast
Screw	Zinc-plated steel
Compr Nut & Sleeve	C36000 brass

Compliant

MATERIAL SPECIFICATIONS	
Valve Body	Compliant brass
Stem Barrel	Santoprene
Stem Shaft	Glass-filled polypropylene
Stem O-ring	EPDM
Gripper Ring	Stainless steel
PushConnect O-rings	Viton* & Nitrile rubber
Tube Stiffener	Stainless steel
Locking Clip	Nylon
Removal Flange	Glass-filled nylon
Handle	Zinc die cast
Screw	Zinc-plated steel
Compr Nut & Sleeve	C36000 brass

*Viton is a registered trademark of DuPont Dow Elastomers, L.L.C.

This specification and all information contained herein is the confidential and exclusive property of BrassCraft Manufacturing, and shall not be disclosed to others without the written consent of BrassCraft. This specification must be returned to BrassCraft if requested.



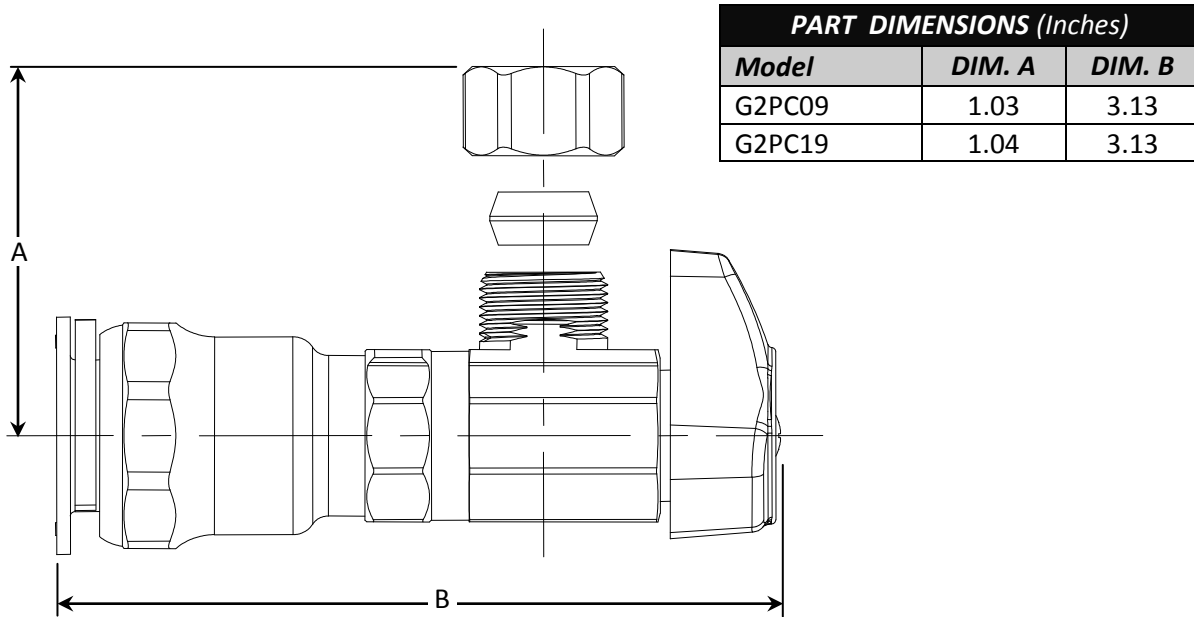
G2PC09/ G2PC19 1/4 Turn Push Connect Angle Stop – Compression Outlet

Standard Part Listing:

- G2PC09 C 1/2" Nom. PushConnect x 1/4" OD Compression, chrome plated
- G2PC19 C 1/2" Nom. PushConnect x 3/8" OD Compression, chrome plated
- G2PC19 C1 1/2" Nom. PushConnect x 3/8" OD Compression, chrome plated, window tray

Compliant Part Listing:

- G2PC19X C 1/2" Nom. PushConnect x 3/8" OD Compression, chrome plated
- G2PC19X C1 1/2" Nom. PushConnect x 3/8" OD Compression, chrome plated, window tray



Listings & Certifications:

- IAPMO listed to ASME A112.18.1-05 / CSA B125.1-05 and ASSE 1061 (File # 0645)
- CSA listed to ASME A112.18.1-05 / CSA B125.1-05 and ASSE 1061 (File # 204593)
- Compliant product CSA approved to California Health & Safety Code 116875 and Vermont Bill S.152 (Project # 2174785)



This specification and all information contained herein is the confidential and exclusive property of BrassCraft Manufacturing, and shall not be disclosed to others without the written consent of BrassCraft. This specification must be returned to BrassCraft if requested.

BrassCraft®