

# VITOCROSSAL 200

|                        |                |                |                |  |
|------------------------|----------------|----------------|----------------|--|
| <b>Vitocrossal 200</b> | <b>CM2 186</b> | <b>CM2 246</b> | <b>CM2 311</b> |  |
|------------------------|----------------|----------------|----------------|--|

|                     |                                 |                  |            |            |
|---------------------|---------------------------------|------------------|------------|------------|
| <b>General Info</b> | Price List Section:             | 2.3              |            |            |
|                     | Parts Catalog Section           | 08               |            |            |
|                     | Series Name:                    | CM2 ( 6/2012 - ) |            |            |
|                     | Applies BOILERS beginning with: | 7499084...       | 7499085... | 7499086... |
|                     | Applies BURNERS beginning with: | 7164855...       | 7164856... | 7164857... |
|                     | As at:                          | 10/15/2015 03    |            |            |

## Parts List

Please refer to: Parts List  
Pos. Description

Part Numbers / Price Categories

| Pos. | Description                       | Part Numbers / Price Categories | Part Numbers / Price Categories | Part Numbers / Price Categories | Part Numbers / Price Categories |
|------|-----------------------------------|---------------------------------|---------------------------------|---------------------------------|---------------------------------|
| 0001 | Flue Gas Collector Cover w Gasket | 7836 338 <sup>34</sup>          | 7836 338 <sup>34</sup>          | 7836 338 <sup>34</sup>          |                                 |
| 0002 | Condensate Syphon                 | 7824 743 <sup>8</sup>           | 7824 743 <sup>8</sup>           | 7824 743 <sup>8</sup>           |                                 |
| 0003 | Hinge Bracket                     | 7836 337 <sup>12</sup>          | 7836 337 <sup>12</sup>          | 7836 337 <sup>12</sup>          |                                 |
| 0004 | 4-Point Sensor Well               | 7812 522 <sup>12</sup>          | 7812 522 <sup>12</sup>          | 7812 522 <sup>12</sup>          |                                 |
| 0005 | Flue Gas Thermostat               | 7836 445 <sup>29</sup>          | 7836 445 <sup>29</sup>          | 7836 445 <sup>29</sup>          |                                 |
| 0006 | Flue Gas Adaptor, Ø = 200/236     | 7836 385 <sup>18</sup>          | 7836 385 <sup>18</sup>          | 7836 385 <sup>18</sup>          |                                 |
|      |                                   |                                 |                                 |                                 |                                 |
| 0101 | Side Panel right rear             | 7836 874 <sup>25</sup>          | 7836 874 <sup>25</sup>          | 7836 874 <sup>25</sup>          |                                 |
| 0102 | Side Panel left middle            | 7836 875 <sup>24</sup>          | 7836 875 <sup>24</sup>          | 7836 875 <sup>24</sup>          |                                 |
| 0103 | Side Panel left rear              | 7836 876 <sup>25</sup>          | 7836 876 <sup>25</sup>          | 7836 876 <sup>25</sup>          |                                 |
| 0104 | Side Panel right middle           | 7836 877 <sup>24</sup>          | 7836 877 <sup>24</sup>          | 7836 877 <sup>24</sup>          |                                 |
| 0105 | Side Panel front right            | 7836 878 <sup>23</sup>          | 7836 878 <sup>23</sup>          | 7836 878 <sup>23</sup>          |                                 |
| 0106 | Side Panel front left             | 7836 879 <sup>23</sup>          | 7836 879 <sup>23</sup>          | 7836 879 <sup>23</sup>          |                                 |
| 0107 | Front Panel Top                   | 7836 880 <sup>20</sup>          | 7836 880 <sup>20</sup>          | 7836 880 <sup>20</sup>          |                                 |
| 0108 | Front Panel                       | 7836 881 <sup>35</sup>          | 7836 881 <sup>35</sup>          | 7836 881 <sup>35</sup>          |                                 |
| 0109 | Nameplate Vitocrossal 200         | 7824 729 <sup>8</sup>           | 7824 729 <sup>8</sup>           | 7824 729 <sup>8</sup>           |                                 |
| 0110 | Cover Strip                       | 7824 425 <sup>12</sup>          | 7824 425 <sup>12</sup>          | 7824 425 <sup>12</sup>          |                                 |
| 0111 | Top Shield Panel                  | 7836 882 <sup>18</sup>          | 7836 882 <sup>18</sup>          | 7836 882 <sup>18</sup>          |                                 |
| 0112 | Bottom Panel                      | 7836 883 <sup>22</sup>          | 7836 883 <sup>22</sup>          | 7836 883 <sup>22</sup>          |                                 |
| 0113 | Top Panel Right                   | 7836 884 <sup>23</sup>          | 7836 884 <sup>23</sup>          | 7836 884 <sup>23</sup>          |                                 |
| 0114 | Top Panel Left                    | 7836 885 <sup>20</sup>          | 7836 885 <sup>20</sup>          | 7836 885 <sup>20</sup>          |                                 |
| 0115 | Rear Panel Top                    | 7836 886 <sup>20</sup>          | 7836 886 <sup>20</sup>          | 7836 886 <sup>20</sup>          |                                 |
| 0116 | Cover, Edgemolding                | 7819 438 <sup>4</sup>           | 7819 438 <sup>4</sup>           | 7819 438 <sup>4</sup>           |                                 |
| 0117 | Rear Panel Middle                 | 7836 887 <sup>21</sup>          | 7836 887 <sup>21</sup>          | 7836 887 <sup>21</sup>          |                                 |
| 0118 | Rear Panel Bottom                 | 7836 888 <sup>19</sup>          | 7836 888 <sup>19</sup>          | 7836 888 <sup>19</sup>          |                                 |
| 0119 | Guide Rail (top, right)           | 7836 889 <sup>20</sup>          | 7836 889 <sup>20</sup>          | 7836 889 <sup>20</sup>          |                                 |
| 0120 | Guide Rail (top, left)            | 7836 890 <sup>20</sup>          | 7836 890 <sup>20</sup>          | 7836 890 <sup>20</sup>          |                                 |
| 0121 | Guide Rail (bottom, left)         | 7836 891 <sup>19</sup>          | 7836 891 <sup>19</sup>          | 7836 891 <sup>19</sup>          |                                 |
| 0122 | Guide Rail (bottom, right)        | 7836 892 <sup>19</sup>          | 7836 892 <sup>19</sup>          | 7836 892 <sup>19</sup>          |                                 |
| 0123 | Insul. Blanket                    | 7836 893 <sup>24</sup>          | 7836 893 <sup>24</sup>          | 7836 893 <sup>24</sup>          |                                 |
| 0124 | Insul. Blanket Front              | 7836 894 <sup>16</sup>          | 7836 894 <sup>16</sup>          | 7836 894 <sup>16</sup>          |                                 |
| 0130 | Touch-up spray paint, silver      | 7819 545 <sup>9</sup>           | 7819 545 <sup>9</sup>           | 7819 545 <sup>9</sup>           |                                 |
| 0131 | Touch-up paint stick, silver      | 7819 546 <sup>5</sup>           | 7819 546 <sup>5</sup>           | 7819 546 <sup>5</sup>           |                                 |
|      |                                   |                                 |                                 |                                 | continued                       |

# VITOCROSSAL 200

|                        |                                 |                  |                |            |
|------------------------|---------------------------------|------------------|----------------|------------|
| <b>Vitocrossal 200</b> | <b>CM2 186</b>                  | <b>CM2 246</b>   | <b>CM2 311</b> |            |
| <b>General Info</b>    | Price List Section:             | 2.3              |                |            |
|                        | Parts Catalog Section           | 08               |                |            |
|                        | Series Name:                    | CM2 ( 6/2012 - ) |                |            |
|                        | Applies BOILERS beginning with: | 7499084...       | 7499085...     | 7499086... |
|                        | Applies BURNERS beginning with: | 7164855...       | 7164856...     | 7164857... |
|                        | As at:                          | 10/15/2015 03    |                |            |

## Parts List

Please refer to: Parts List  
Pos. Description

Part Numbers / Price Categories

| Pos. | Description                            | Part Numbers / Price Categories | Part Numbers / Price Categories | Part Numbers / Price Categories | Part Numbers / Price Categories |
|------|--|---------------------------------|---------------------------------|---------------------------------|---------------------------------|
| 0201 | Comb. Chamber Door w Refractory        | 7836 463 <sup>49</sup>          | 7836 463 <sup>49</sup>          | 7836 463 <sup>49</sup>          |                                 |
| 0202 | Comb. Chamber Door Refractory          | 7836 465 <sup>28</sup>          | 7836 465 <sup>28</sup>          | 7836 465 <sup>28</sup>          |                                 |
| 0203 | Access. Pack (Cylinder Burner)         | 7825 038 <sup>12</sup>          | 7825 038 <sup>12</sup>          | 7825 038 <sup>12</sup>          |                                 |
| 0204 | Access. Pack (Mounting Parts)          | 7825 039 <sup>10</sup>          | 7825 039 <sup>10</sup>          | 7825 039 <sup>10</sup>          |                                 |
| 0205 | Cylinder Burner                        | 7836 466 <sup>55</sup>          | 7836 467 <sup>57</sup>          | 7836 467 <sup>57</sup>          |                                 |
| 0206 | Burner Gasket                          | 7836 468 <sup>11</sup>          | 7836 468 <sup>11</sup>          | 7836 468 <sup>11</sup>          |                                 |
| 0207 | Ignition Electrode Block               | 7842 945 <sup>20</sup>          | 7842 945 <sup>20</sup>          | 7842 945 <sup>20</sup>          |                                 |
| 0208 | Ignition Transformer                   | 7838 311 <sup>19</sup>          | 7838 311 <sup>19</sup>          | 7838 311 <sup>19</sup>          |                                 |
| 0209 | Ignition Cable                         | 7825 044 <sup>10</sup>          | 7825 044 <sup>10</sup>          | 7825 044 <sup>10</sup>          |                                 |
| 0210 | Ionization Electrode VMIII with gasket | 7817 324 <sup>18</sup>          | 7817 324 <sup>18</sup>          | 7817 324 <sup>18</sup>          |                                 |
| 0211 | Gasket (Ignition Electrode)            | 7810 720 <sup>5</sup>           | 7810 720 <sup>5</sup>           | 7810 720 <sup>5</sup>           |                                 |
| 0212 | Wiring Harness (Ionization/Ground)     | 7838 302 <sup>8</sup>           | 7838 302 <sup>8</sup>           | 7838 302 <sup>8</sup>           |                                 |
| 0213 | Burner Ctrl, VUC310-B10.001            | 7841 633 <sup>33</sup>          | 7841 633 <sup>33</sup>          | 7841 633 <sup>33</sup>          |                                 |
| 0214 | Programming Unit HI201-B02.001 w LED   | 7834 183 <sup>35</sup>          | 7834 183 <sup>35</sup>          | 7834 183 <sup>35</sup>          |                                 |
| 0215 | Ignition Cable "54"                    | 7837 685 <sup>6</sup>           | 7837 685 <sup>6</sup>           | 7837 685 <sup>6</sup>           |                                 |
| 0216 | Wiring Harness (Fan)                   | 7838 303 <sup>11</sup>          | 7838 303 <sup>11</sup>          | 7838 303 <sup>11</sup>          |                                 |
| 0217 | Wiring Harness (Gas Valve)             | 7838 304 <sup>13</sup>          | 7838 304 <sup>13</sup>          | 7838 304 <sup>13</sup>          |                                 |
| 0218 | Pressure Sw (Fan Inlet) w 131 Cable    | 7838 300 <sup>20</sup>          | 7838 300 <sup>20</sup>          | 7838 300 <sup>20</sup>          |                                 |
| 0219 | 2/2 Way Solenoid Valve                 | 7836 469 <sup>27</sup>          |                                 |                                 |                                 |
| 0220 | Servomotor STA 120 V                   |                                 | 7836 470 <sup>32</sup>          | 7836 470 <sup>32</sup>          |                                 |
| 0221 | Fan G1G170 120/1/60                    | 7836 471 <sup>71</sup>          | 7836 471 <sup>71</sup>          | 7836 471 <sup>71</sup>          |                                 |
| 0222 | Suppression Filter Device AC EMI       | 7838 305 <sup>23</sup>          | 7838 305 <sup>23</sup>          | 7838 305 <sup>23</sup>          |                                 |
| 0223 | Inlet Damper                           |                                 | 7825 053 <sup>26</sup>          | 7825 053 <sup>26</sup>          |                                 |
| 0224 | Linkage M5                             |                                 | 7824 663 <sup>10</sup>          | 7824 663 <sup>10</sup>          |                                 |
| 0225 | Venturi Mixing Pipe                    | 7825 056 <sup>33</sup>          | 7824 656 <sup>35</sup>          | 7824 656 <sup>35</sup>          |                                 |
| 0226 | Conv. Kit CM2 NG>LP                    | 7487 844 <sup>20</sup>          | 7487 845 <sup>20</sup>          | 7487 849 <sup>20</sup>          |                                 |
| 0227 | Gas Valve VR4730                       | 7836 472 <sup>61</sup>          | 7836 473 <sup>61</sup>          | 7836 473 <sup>61</sup>          |                                 |
| 0229 | Dampening Orifice D=0.5                | t.b.a. <sup>n.a.</sup>          |                                 |                                 |                                 |
| 0230 | Fan Gasket                             | 7831 266 <sup>7</sup>           | 7831 295 <sup>7</sup>           | 7831 295 <sup>7</sup>           |                                 |
| 0231 | Pressure Sw (Overfire) w 131A Cable    | 7837 644 <sup>19</sup>          | 7837 644 <sup>19</sup>          | 7837 644 <sup>19</sup>          |                                 |
| 0232 | Coding Plug                            | 7838 592 <sup>12</sup>          | 7838 593 <sup>12</sup>          | 7838 594 <sup>12</sup>          |                                 |
| 0233 | Wiring Harness (Step-Motor)            |                                 | 7837 676 <sup>7</sup>           | 7837 676 <sup>7</sup>           |                                 |
| 0234 | Wiring Harness (2/2 Solen.valve)       | 7837 689 <sup>8</sup>           |                                 |                                 |                                 |
| 0235 | Plug Console w Relay Contactor         | 7838 307 <sup>25</sup>          | 7838 307 <sup>25</sup>          | 7838 307 <sup>25</sup>          |                                 |
| 0236 | Gas Manifold w Shut-off                | 7836 481 <sup>27</sup>          | 7836 481 <sup>27</sup>          | 7836 481 <sup>27</sup>          |                                 |
| 0237 | Flange 1" NPT                          | 7836 482 <sup>12</sup>          | 7836 483 <sup>15</sup>          | 7836 483 <sup>15</sup>          |                                 |
| 0238 | Silicone Tubing                        | 7825 442 <sup>8</sup>           | 7825 442 <sup>8</sup>           | 7825 442 <sup>8</sup>           |                                 |
| 0250 | Conv. Kit CM2 LP>NG                    | 7838 720 <sup>10</sup>          | 7838 720 <sup>10</sup>          | 7838 720 <sup>10</sup>          |                                 |
| 0251 | Gas Press. Switch (HW) C60VRT40040     | 9154 767 <sup>13</sup>          | 9154 767 <sup>13</sup>          | 9154 767 <sup>13</sup>          |                                 |
|      |  |                                 |                                 |                                 | continued                       |

# VITOCROSSAL 200

|                        |                |                |                |  |
|------------------------|----------------|----------------|----------------|--|
| <b>Vitocrossal 200</b> | <b>CM2 186</b> | <b>CM2 246</b> | <b>CM2 311</b> |  |
|------------------------|----------------|----------------|----------------|--|

|                     |                                 |                  |            |            |
|---------------------|---------------------------------|------------------|------------|------------|
| <b>General Info</b> | Price List Section:             | 2.3              |            |            |
|                     | Parts Catalog Section           | 08               |            |            |
|                     | Series Name:                    | CM2 ( 6/2012 - ) |            |            |
|                     | Applies BOILERS beginning with: | 7499084...       | 7499085... | 7499086... |
|                     | Applies BURNERS beginning with: | 7164855...       | 7164856... | 7164857... |
|                     | As at:                          | 10/15/2015 03    |            |            |

## Parts List

Please refer to: Parts List  
Pos. Description

Part Numbers / Price Categories

| Pos. | Description                           | Part Numbers / Price Categories | Part Numbers / Price Categories | Part Numbers / Price Categories |
|------|---------------------------------------|---------------------------------|---------------------------------|---------------------------------|
| 0400 | Installation Fittings                 | 7507 991 <sup>42</sup>          | 7507 992 <sup>43</sup>          | 7507 992 <sup>43</sup>          |
| 0401 | Pr.Rel Valve, ¾ x 1" 75PSI            | 7561 005 <sup>18</sup>          | 7561 005 <sup>18</sup>          | 7561 005 <sup>18</sup>          |
| 0402 | Nipple, ¾" x 1 ½"                     | 9543 294 <sup>4</sup>           | 9543 294 <sup>4</sup>           | 9543 294 <sup>4</sup>           |
| 0403 | 90° Street Elbow, ¾"                  | 9543 277 <sup>4</sup>           | 9543 277 <sup>4</sup>           | 9543 277 <sup>4</sup>           |
| 0404 | Hex Bushing, 1 ¼" x ¾"                | 9543 282 <sup>4</sup>           | 9543 282 <sup>4</sup>           | 9543 282 <sup>4</sup>           |
| 0405 | Cross, 1 ¼"                           | 9543 373 <sup>6</sup>           | 9543 373 <sup>6</sup>           | 9543 373 <sup>6</sup>           |
| 0406 | Tee, 1"                               | 9543 375 <sup>4</sup>           | 9543 375 <sup>4</sup>           | 9543 375 <sup>4</sup>           |
| 0407 | Nipple, 1 x 2"                        | 9543 297 <sup>3</sup>           | 9543 297 <sup>3</sup>           | 9543 297 <sup>3</sup>           |
| 0408 | Red. Coupling, 1 x ¾"                 | 9549 864 <sup>4</sup>           | 9549 864 <sup>4</sup>           | 9549 864 <sup>4</sup>           |
| 0409 | Sediment Faucet, ¾"                   | 9542 942 <sup>5</sup>           | 9542 942 <sup>5</sup>           | 9542 942 <sup>5</sup>           |
| 0410 | Air Vent w Shut-off Base              | 9542 941 <sup>8</sup>           | 9542 941 <sup>8</sup>           | 9542 941 <sup>8</sup>           |
| 0411 | Hex Bushing, 1 ¼" x 3/8"              | 9645 007 <sup>5</sup>           | 9645 007 <sup>5</sup>           | 9645 007 <sup>5</sup>           |
| 0412 | Press. Gage, 0-160PSI 3.5"            | 9544 351 <sup>19</sup>          | 9544 351 <sup>19</sup>          | 9544 351 <sup>19</sup>          |
| 0413 | Hex Bushing, ½" x ¼"                  | 9543 285 <sup>2</sup>           | 9543 285 <sup>2</sup>           | 9543 285 <sup>2</sup>           |
| 0414 | Low Water Cutoff Model 550 w Man. Res | 7849 659 <sup>26</sup>          | 7849 659 <sup>26</sup>          | 7849 659 <sup>26</sup>          |
| 0415 | Nipple                                | 9543 291 <sup>3</sup>           | 9543 300 <sup>3</sup>           | 9543 300 <sup>3</sup>           |
| 0416 | Gas Ball Valve                        | 7424 391 <sup>7</sup>           | 9544 348 <sup>13</sup>          | 9544 348 <sup>13</sup>          |
| 0417 | Thermometer (Winters) 5" 0-250°F      | 9544 333 <sup>25</sup>          | 9544 333 <sup>25</sup>          | 9544 333 <sup>25</sup>          |
| 0420 | Installation Instructions             | 5607 705 <sup>L</sup>           | 5607 705 <sup>L</sup>           | 5607 705 <sup>L</sup>           |
| 0421 | Operating Instructions                | 5608 014 <sup>L</sup>           | 5608 014 <sup>L</sup>           | 5608 014 <sup>L</sup>           |
| 0422 | Service Instructions                  | 5607 706 <sup>L</sup>           | 5607 706 <sup>L</sup>           | 5607 706 <sup>L</sup>           |
| 0423 | Parts List, Vitocrossal 200           | 5608 015 <sup>L</sup>           | 5608 015 <sup>L</sup>           | 5608 015 <sup>L</sup>           |
| 0424 | Parts List, Cylinder Burner           | 5608 016 <sup>L</sup>           | 5608 016 <sup>L</sup>           | 5608 016 <sup>L</sup>           |
| 0425 | Parts List, Installation Fittings     | 5609 831 <sup>L</sup>           | 5609 831 <sup>L</sup>           | 5609 831 <sup>L</sup>           |
| 0500 | Electrical Box                        | 7506 693 <sup>54</sup>          | 7506 693 <sup>54</sup>          | 7506 693 <sup>54</sup>          |
| 0600 | Air Intake Kit                        | 7511 365 <sup>26</sup>          | 7510 812 <sup>27</sup>          | 7510 812 <sup>27</sup>          |

### Notes:

"n.a." indicates not applicable.

"W" indicates wearing part (service).

"L" indicates literature (no charge).

"Kit" or "Other" indicates that this is not a Price Category item; contact Inside Sales for pricing.

## VITOCROSSAL 200

CM2 Series

| Model No.      | Serial No.      |
|----------------|-----------------|
| CM2 186 Boiler | 7499084□□□□□□□□ |
| CM2 246 Boiler | 7499085□□□□□□□□ |
| CM2 311 Boiler | 7499086□□□□□□□□ |

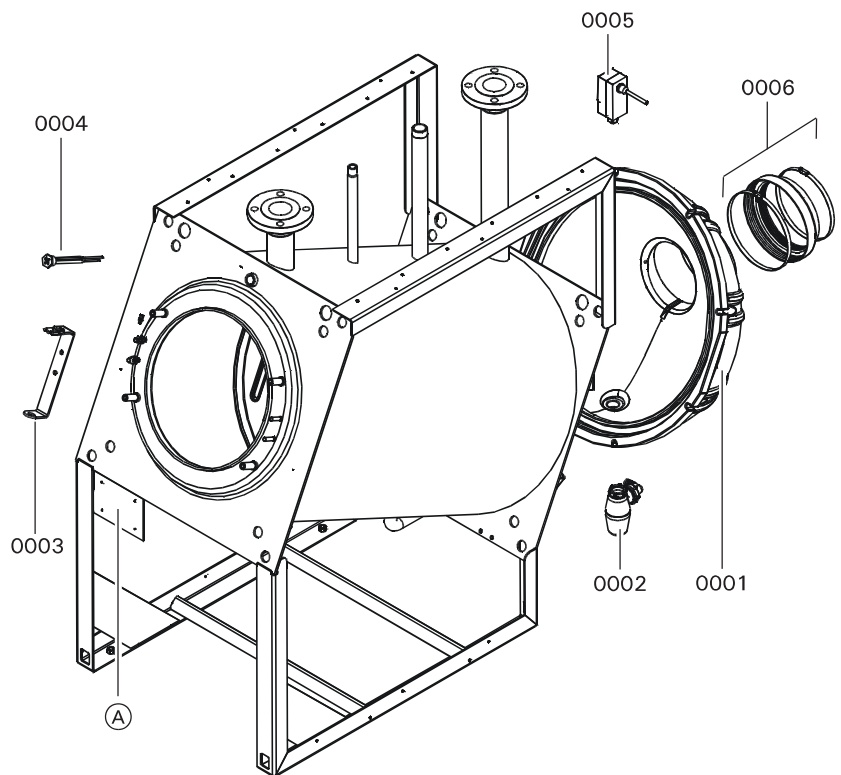
### Ordering Parts:

Please provide Model and Serial Number from ASME boiler rating plate (A) when ordering replacement parts. Order replacement components from your Viessmann distributor.

### Parts

- 0001 Flue gas collector cover with gasket
- 0002 Condensate siphon
- 0003 Hinge bracket
- 0004 Sensor well, 4-point
- 0005 Flue gas thermostat
- 0006 Flue gas adaptor with clamps  
ø = 200/236

(A) ASME boiler rating plate



# VITOCROSSAL 200

## CM2 Series

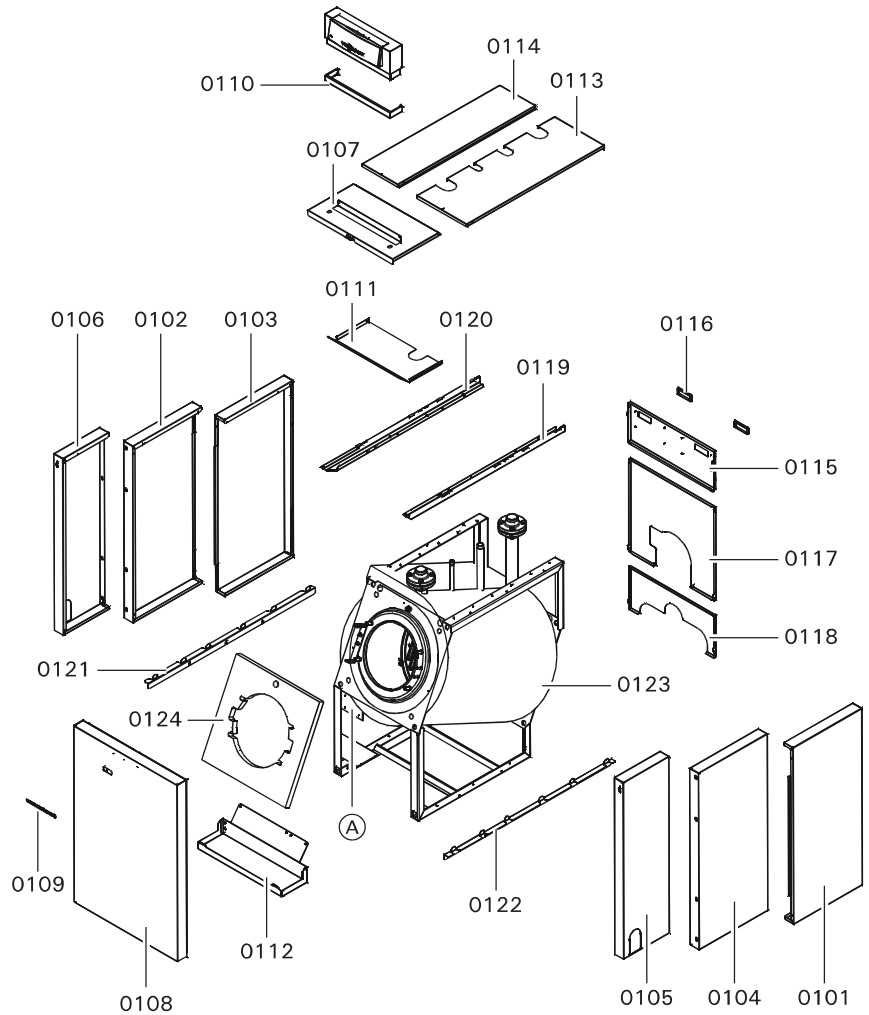
| Model No.      | Serial No.      |
|----------------|-----------------|
| CM2 186 Boiler | 7499084□□□□□□□□ |
| CM2 246 Boiler | 7499085□□□□□□□□ |
| CM2 311 Boiler | 7499086□□□□□□□□ |

### Parts

- 0101 Side panel, right rear
- 0102 Side panel, left middle
- 0103 Side panel, left rear
- 0104 Side panel, right middle
- 0105 Side panel, front right
- 0106 Side panel, front left
- 0107 Front panel, top
- 0108 Front panel
- (with 109 nameplate)
- 0109 Nameplate "Vitocrossal 200"
- 0110 Cover strip
- 0111 Top shield panel
- 0112 Bottom panel
- 0113 Top panel right
- 0114 Top panel left
- 0115 Rear panel top
- (with 116 edgemolding)
- 0116 Cover, edgemolding
- 0117 Rear panel, middle
- 0118 Rear panel, bottom
- 0119 Guide rail, top, right
- 0120 Guide rail, top, left
- 0121 Guide rail, bottom, left
- 0122 Guide rail, bottom, right
- 0123 Insulation blanket
- 0124 Insulation blanket, front

### Other Parts (not illustrated)

- 0130 Touch-up spray paint, silver
- 0131 Touch-up paint stick, silver
- 0132 Accessory pack, small parts for insulation
- 0500 Electrical box with all necessary wiring harnesses
- 0600 Air intake kit



Ⓐ ASME boiler rating plate

# Parts List



## Cylinder Burner VITOCROSSAL 200 CM2 Series

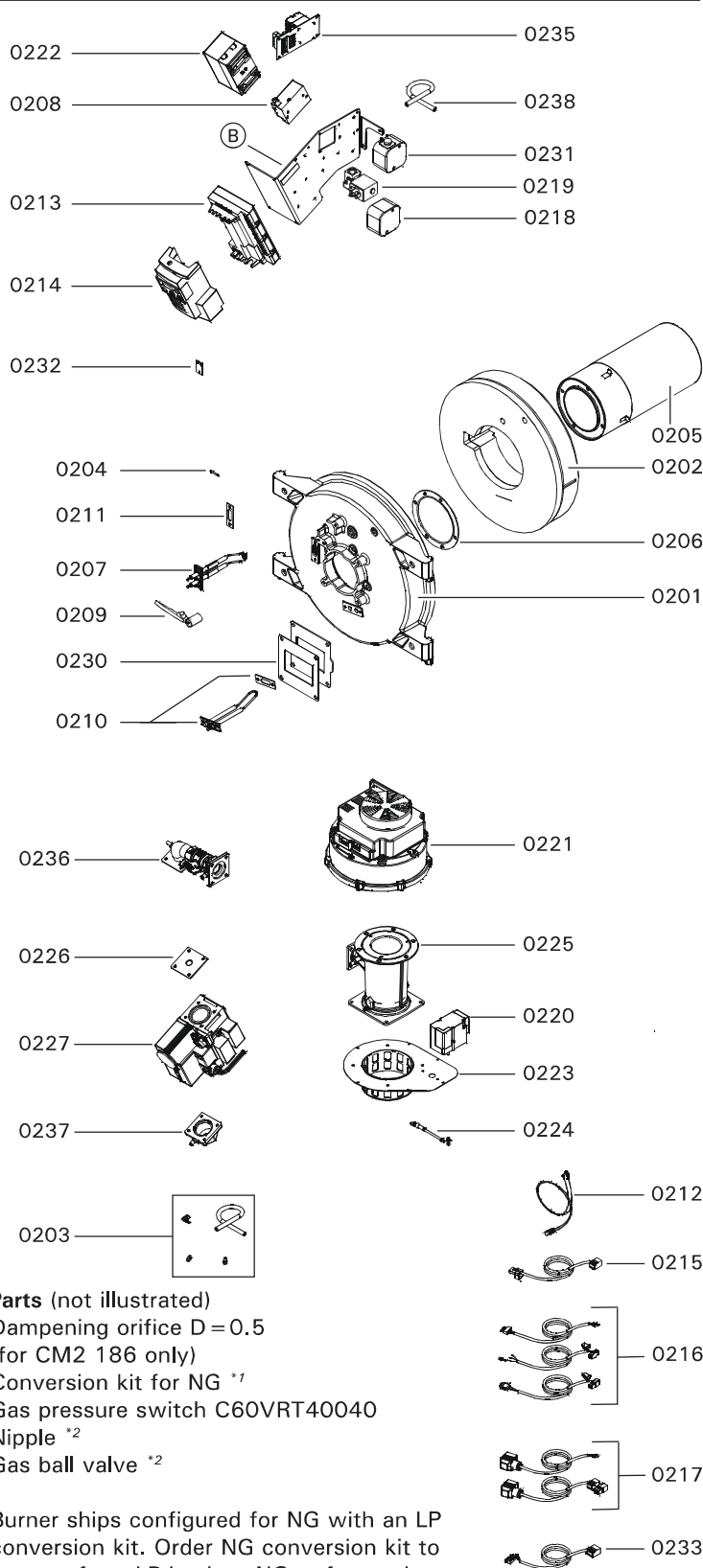
| Model No.      | Serial No.      |
|----------------|-----------------|
| CM2 186 Burner | 7164855□□□□□□□□ |
| CM2 246 Burner | 7164856□□□□□□□□ |
| CM2 311 Burner | 7164857□□□□□□□□ |

### Ordering Parts:

Please provide Model and Serial Number from burner rating plate (B) when ordering replacement parts. Order replacement components from your Viessmann distributor.

### Parts

- 0201 Combustion chamber door (with 202 refractory)
- 0202 Combustion chamber door refractory
- 0203 Accessory pack, small parts for burner
- 0204 Accessory pack, small parts for mounting
- 0205 Cylinder burner
- 0206 Burner gasket
- 0207 Ignition electrode block
- 0208 Ignition transformer
- 0209 Ignition cable
- 0210 Ionization electrode with gasket
- 0211 Gasket for ignition electrode
- 0212 Wiring harness for ionization/ground
- 0213 Burner control, VUC310-B10.001
- 0214 Programming unit, HI201-B02.001 with LED display
- 0215 Ignition cable "54"
- 0216 Wiring harness for fan
- 0217 Wiring harness for gas valve
- 0218 Pressure switch for fan inlet with "131" harness
- 0219 2/2-Way solenoid valve (for CM2 186 only)
- 0220 Servomotor, STA 120V (for CM2 246 / 311 only)
- 0221 Fan, G1G170, 120/1/60
- 0222 AC-EMI Suppression filter device
- 0223 Inlet damper (for CM2 246 / 311 only)
- 0224 Linkage M5 (for CM2 246 / 311 only)
- 0225 Venturi mixing pipe
- 0226 Orifice, LP (sold as a conversion kit only)
- 0227 Gas valve, VR4730
- 0230 Fan gasket
- 0231 Pressure switch for overfire with "131A" harness
- 0232 Coding plug
- 0233 Wiring harness for step-motor (for CM2 246 / 311 only)
- 0234 Wiring harness "38" for 2/2-way solenoid valve (for CM2 186 only)
- 0235 Plug console with relay contactor
- 0236 Gas manifold with shut-off
- 0237 Flange for gas valve
- 0238 Silicone tubing



- Other Parts (not illustrated)**
- 0229 Dampening orifice D = 0.5 (for CM2 186 only)
  - 0250 Conversion kit for NG <sup>\*1</sup>
  - 0251 Gas pressure switch C60VRT40040
  - 0415 Nipple <sup>\*2</sup>
  - 0416 Gas ball valve <sup>\*2</sup>

<sup>\*1</sup> Burner ships configured for NG with an LP conversion kit. Order NG conversion kit to convert from LP back to NG at future date.  
<sup>\*2</sup> Shipped with installation fittings.

# Parts List



## Installation Set

7507 991, 7507 992

7547 053, 7547 054

**VITOCROSSAL 200** CM2 Series

| Model No.      | Serial No.                             |
|----------------|--|
| CM2 186 Boiler | 7499084□□□□□□□□□□<br>7201753□□□□□□□□□□ |
| CM2 246 Boiler | 7499085□□□□□□□□□□<br>7201754□□□□□□□□□□ |
| CM2 311 Boiler | 7499086□□□□□□□□□□<br>7201755□□□□□□□□□□ |

### Ordering Parts:

Please provide Model and Serial Number from ASME boiler rating plate (A) when ordering replacement parts. Order replacement components from your Viessmann distributor.

### Parts

- 0401 Pressure relief valve, 75 psig
- 0402 Nipple, 3/4" x 1 1/2"
- 0403 90° Street elbow, 3/4"
- 0404 Hex bushing, 1 1/4" x 3/4"
- 0405 Cross, 1 1/4"
- 0406 Tee
- 0407 Nipple, 1" x 2" \*1
- 0408 Reduction coupling, 1" x 3/4" \*1
- 0409 Sediment faucet, 3/4"
- 0410 Air vent with shut-off base
- 0411 Hex bushing, 1 1/4" x 3/8"
- 0412 Pressure gage
- 0413 Hex bushing, 1/2" x 1/4"
- 0414 Low water cutoff
- 0415 Nipple
- 0416 Gas ball valve

### Other Parts (not illustrated)

- 0417 Thermometer (Winters) 5" 0-250°F \*2
- 0425 Parts List, Installation Fittings

\*1 Applies only to boiler serial nos. beginning with 7499084..., 7499085..., and 7499086... .

\*2 Install anywhere in supply piping near boiler.

