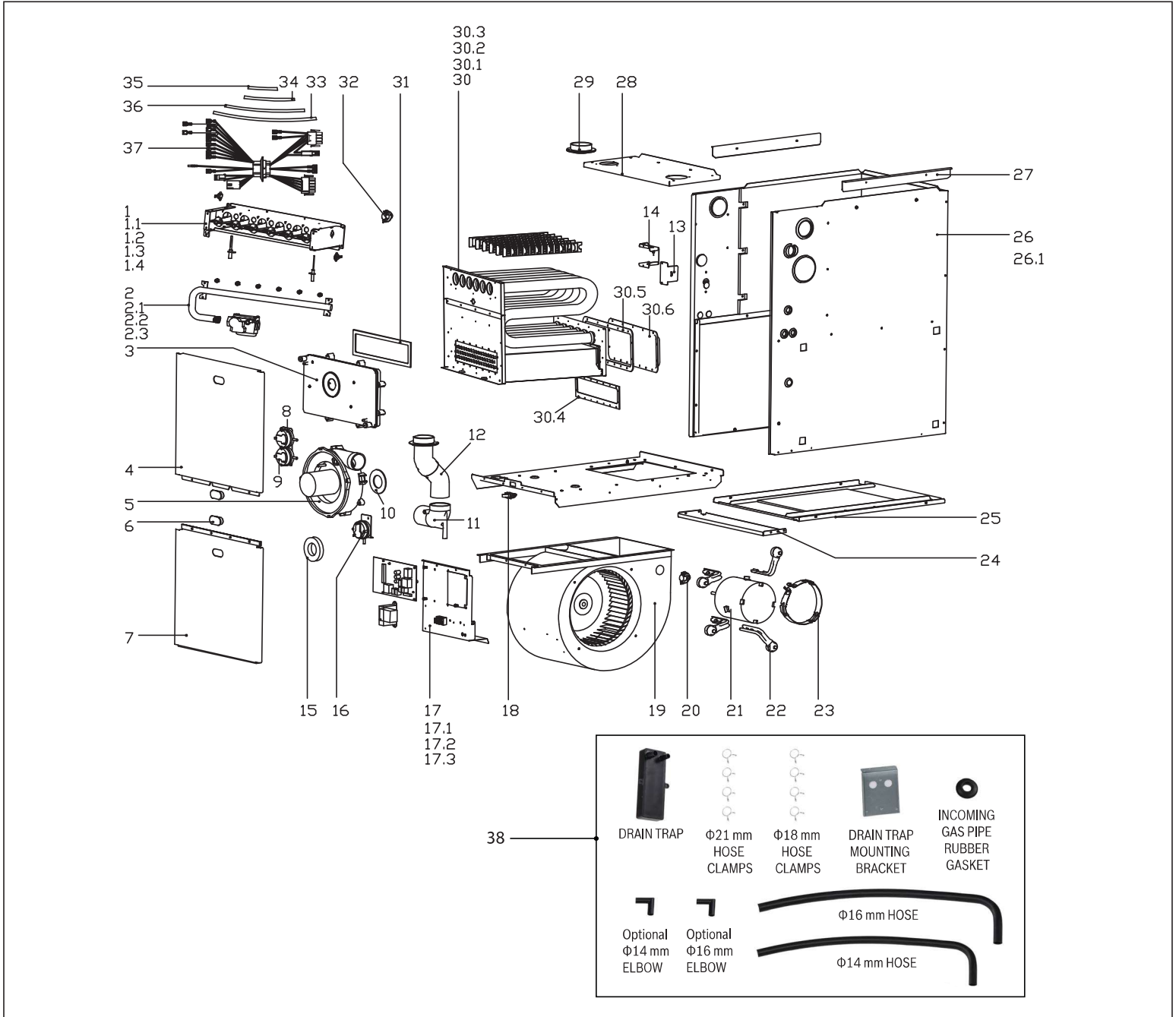


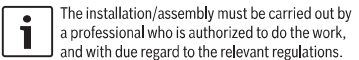
Bosch 96% AFUE Gas Furnace BGH96 Model Condensing Gas Furnace

BGH96M120D5B




i The installation/assembly must be carried out by a professional who is authorized to do the work, and with due regard to the relevant regulations.

Pos.	Description	Ordering no.	BGH96M060B3B	BGH96M080B3B	BGH96M080C4B	BGH96M100C5B	BGH96M100D5B	BGH96M120D5B	Remarks
1	Burner assembly	8733952535	■						
	Burner assembly	8733952515		■	■				
	Burner assembly	8733952497				■	■		
	Burner assembly	8733952456						■	
1.1	Rollout switch - resettable	8733952457	■	■	■	■	■	■	
1.2	Ignitor	8733951178	■	■	■	■	■	■	
1.3	Flame sensor	8733951177	■	■	■	■	■	■	
1.4	Burner	8733952458	■	■	■	■	■	■	
2	Gas pipe assembly	8733956291	■						
	Gas pipe assembly	8733956290		■	■				
	Gas pipe assembly	8733956289				■	■		
	Gas pipe assembly	8733956288						■	
2.1	Gas valve-two stage	8733956229	■	■	■	■	■	■	
2.2	NG Orifice (0-2000,#45)	8733952461	■	■	■	■	■	■	
2.3	Gas pipe	8733952537	■						
	Gas pipe	8733952517		■	■				
	Gas pipe	8733952499				■	■		
	Gas pipe	8733952462						■	
3	Drain box	8733952523	■	■					
	Drain box	8733952503			■	■			
	Drain box	8733952463					■	■	
4	Panel, Upper Front (silver)	8733955598	■	■					
	Panel, Upper Front (silver)	8733955593			■	■			
	Panel, Upper Front (silver)	8733955588					■	■	
5	Inducer	8733952518	■	■	■				
	Inducer	8733952465				■	■	■	
6	Sight Glass	8733951202	■	■	■	■	■	■	
7	Panel, Lower Front (silver)	8733955599	■	■					
	Panel, Lower Front (silver)	8733955594			■	■			
	Panel, Lower Front (silver)	8733955589					■	■	
8	Pressure switch(high fire)	8733952475	■	■	■	■	■	■	
9	Pressure switch(low fire)	8733952468	■	■	■	■	■	■	
10	Inducer gasket	8733952469	■	■	■	■	■	■	
11	Flue discharge elbow	8733952470	■	■	■	■	■	■	
12	Flue discharge pipe joint assembly	8733952471	■	■	■	■	■	■	
13	Junction box cover	8733952472	■	■	■	■	■	■	
14	Junction box	8733952476	■	■	■	■	■	■	
15	Flue discharge clasp	8733952538	■						
	Flue discharge clasp	8733952519		■	■				
	Flue discharge clasp	8733952500				■	■		
	Flue discharge clasp	8733952474						■	
16	Pressure switch(water level)	8733952467	■	■	■	■	■	■	
All Models: BGH96M060B3B BGH96M080B3B BGH96M080C4B BGH96M100C5B BGH96M100D5B BGH96M120D5B									




The installation/assembly must be carried out by a professional who is authorized to do the work, and with due regard to the relevant regulations.

Pos.	Description	Ordering no.	BGH96M060B3B	BGH96M080B3B	BGH96M080C4B	BGH96M100C5B	BGH96M100D5B	BGH96M120D5B	Remarks
17	Electric control box assembly	8733956292	■	■	■	■	■	■	
17.1	Transformer	8733951192	■	■	■	■	■	■	
17.2	Main control board assembly	8733956230	■	■	■	■	■	■	
17.3	Terminal block	8733952478	■	■	■	■	■	■	
18	Door switch	8733951212	■	■	■	■	■	■	
19	Blower Housing	8733952526	■	■					
19	Blower Housing	8733952479			■	■	■	■	
20	Fan mounted temperature limit switch	8733952480	■	■	■	■	■	■	
21	ECM blower motor	8733956294	■	■	■				
	ECM blower motor	8733956293				■	■	■	
22	Motor bracket ass'y I	8733952482	■	■	■	■	■	■	
23	Motor bracket II	8733952483	■	■	■	■	■	■	
24	Bottom Support Plate (silver)	8733955600	■	■					
	Bottom Support Plate (silver)	8733955595			■	■			
	Bottom Support Plate (silver)	8733955590					■	■	
25	Bottom Return Plate	8733952529	■	■					
	Bottom Return Plate	8733952507			■	■			
	Bottom Return Plate	8733952485					■	■	
26	Cabinet Assembly (silver)	8733955601	■	■					
	Cabinet Assembly (silver)	8733955596			■	■			
	Cabinet Assembly (silver)	8733955591					■	■	
26.1	Blower Partition Panel	8733952509	■	■					
	Blower Partition Panel	8733952539			■	■			
	Blower Partition Panel	8733952487					■	■	
27	Supporting bar assembly	8733952488	■	■	■	■	■	■	
28	Panel, Top (silver)	8733955602	■	■					
	Panel, Top (silver)	8733955597			■	■			
	Panel, Top (silver)	8733955592					■	■	
29	Air inlet pipe joint	8733952490	■	■	■	■	■	■	
30	Heat exchanger assembly	8733956300	■						
	Heat exchanger assembly	8733956299		■					
	Heat exchanger assembly	8733956298			■				
	Heat exchanger assembly	8733956297				■			
	Heat exchanger assembly	8733956296					■		
	Heat exchanger assembly	8733956295						■	
30.1	Primary heat exchanger	8733952541	■						
	Primary heat exchanger	8733952532		■					
	Primary heat exchanger	8733952522			■				
	Primary heat exchanger	8733952512				■			
	Primary heat exchanger	8733952502					■		
	Primary heat exchanger	8733952492						■	
All Models: BGH96M060B3B BGH96M080B3B BGH96M080C4B BGH96M100C5B BGH96M100D5B BGH96M120D5B									

 The installation/assembly must be carried out by a professional who is authorized to do the work, and with due regard to the relevant regulations.

Gas Conversion Kit									
Pos.	Description	Ordering no.	BGH96M060B3B	BGH96M080B3B	BGH96M080C4B	BGH96M100C5B	BGH96M100D5B	BGH96M120D5B	Remarks
N/A	NG Orifice (0-2000ft) #45	8733952997	■	■	■	■	■	■	
N/A	LP Orifice (0-2000ft) #55	8733952998	■	■	■	■	■	■	
N/A	NG Orifice (2000-4000ft) #47	8733952999	■	■	■	■	■	■	
N/A	LP Orifice (2000-4000ft) #56	8733953000	■	■	■	■	■	■	
N/A	NG Orifice (4000-6000ft) #48	8733953001	■	■	■	■	■	■	
N/A	LP Orifice (4000-6000ft) #57	8733951604	■	■	■	■	■	■	
N/A	NG Orifice (6000-8000ft) #49	8733951218	■	■	■	■	■	■	
N/A	LP Orifice (6000-8000ft) #58	8733952068	■	■	■	■	■	■	
N/A	NG Orifice (8000-10000ft) #50	8733952069	■	■	■	■	■	■	
N/A	LP Orifice (8000-10000ft) #59	8733952070	■	■	■	■	■	■	
N/A	Conversion Kit (from NG to LP)	8733953504	■	■	■	■	■	■	
N/A	Conversion Kit (From LP to NG)	8733953505	■	■	■	■	■	■	
All Models: BGH96M060B3B BGH96M080B3B BGH96M080C4B BGH96M100C5B BGH96M100D5B BGH96M120D5B									

 The installation/assembly must be carried out by a professional who is authorized to do the work, and with due regard to the relevant regulations.