

### Features

- Traditional styling.
- Right-side lever handle.
- 8-13/16" (224 mm) spout height.
- 4-15/16" (125 mm) spout reach.
- Faucet spout rotates 360° and offers clearance for filling glasses and pitchers.
- 1.5 gpm (5.7 lpm) maximum flow rate at 60 psi (4.14 bar).
- RO (reverse osmosis) compatible.
- Works with KOHLER filtration systems or as a cold water tap.
- KOHLER ceramic disc valves exceed industry longevity standards for a lifetime of durable performance.

### Material

- Zinc construction.
- KOHLER finishes resist corrosion and tarnishing.

### Installation

- Single-hole installation.

### Included Components

Additional Components:  
1329347



ADA CSA B651

### Codes/Standards



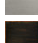


ASME A112.18.1/CSA B125.1  
NSF/ANSI 61  
NSF/ANSI 372  
All applicable US Federal and State material regulations  
DOE - Energy Policy Act 1992  
California Energy Commission (CEC)  
ADA  
ICC/ANSI A117.1  
CSA B651

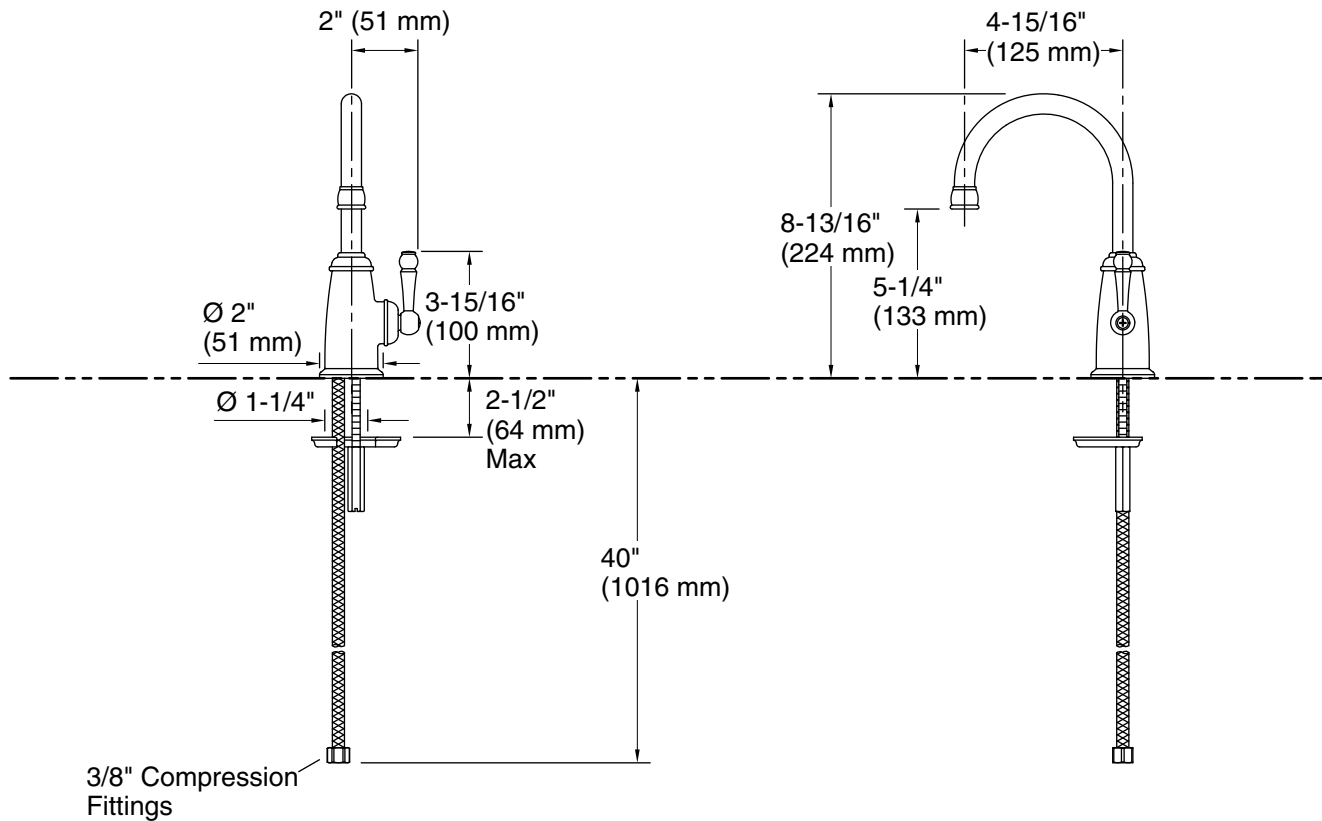
### KOHLER® Faucet Lifetime Limited Warranty

See website for detailed warranty information.

### Available Colors/Finishes

*Color tiles intended for reference only.*

Color	Code	Description
	CP	Polished Chrome
	SN	Vibrant® Polished Nickel
	BN	Vibrant® Brushed Nickel
	VS	Vibrant® Stainless
	2BZ	Oil-Rubbed Bronze
	2MB	Vibrant® Brushed Moderne Brass



### Technical Information

All product dimensions are nominal.

Drain included: No

### Notes

Install this product according to the installation instructions.

ADA, CSA B651 compliant when installed to the specific requirements of these regulations.