

Inverter Driven Heat Pump

12,000 BTU Single Zone Compact Cassette

Job Name _____
 Location _____
 Engineer _____
 Submitted To _____
 Submitted By _____
 Reference _____

Date _____
 Approval _____
 Construction _____
 Unit No _____
 Drawing No _____

PRODUCT FEATURES

- 24 hr. Timer/Weekly Timer
- Auto louver: Up/Down
- Auto Mode
- Auto Changeover
- Daisy Chain Compatible
- Built-in Condensate Pump
- Auto Restart
- Economy Mode
- Auto Fan Mode



MODEL NUMBERS

Indoor Unit	AUU12RLF
Outdoor Unit	AOU12RLFCC
System	12RLFCC

EFFICIENCIES

SEER	21.9	
EER	12.8	
HSPF	12.2	
COP	kW/kW	3.95
	Btu/hW	11.10

OUTDOOR TEMPERATURE OPERATION RANGE

Cooling	°F(°C)	14 to 115 (-10 to 46)
Heating		-5 to 75 (-21 to 24)

CAPACITIES

Cooling	Rated	BTU/hW	12,000
	Min.-Max.		3100 - 13600
Heating	Rated		16,000
	Min.-Max.		3100 - 19400

LINESET REQUIREMENTS

Connection Method		Flare
Liquid	in (mm)	Ø1/4 (Ø6.35)
Gas		Ø3/8 (Ø9.52)
Pre-Charge Length	ft (m)	49 (15)
Minimum Length		10 (3)
Maximum Length		66 (20)
Max. Height Diff.		49 (15)

INDOOR DIMENSIONS & WEIGHT

Net (H x W x D)	in	9-21/32 x 22-7/16 x 22-7/16
	mm	(245x570x570)
Gross (H x W x D)	in	10-7/16 x 28-3/4 x 24-19/32
	mm	(265x730x625)
Net Weight	lb (kg)	33 (15)
Gross Weight		40 (18)

OUTDOOR DIMENSIONS & WEIGHT

Net (H x W x D)	in	24-1/2 x 31-3/32 x 11-11/32
	mm	(620 x 790 x 290)
Gross (H x W x D)	in	28-1/16 x 37-7/32 x 15-9/16
	mm	(713 x 945 x 395)
Net Weight	lb (kg)	86 (39)
Gross Weight		95 (43)

Warranty Information



7 Year Compressor, 5 Year Parts out-of-the-box Warranty



10 Year Compressor, 10 Year Parts Warranty when registered within 60 days of installation in a residence



12 Year Compressor, 12 Year Parts Warranty when registered within 60 days of installation in a residence, and installed by a Fujitsu Elite contractor

ACCESSORIES

UTY-TTRX	3rd Party Thermostat Converter
UTY-RNNUM	Wired Remote
UTY-RVNUM	Wired Remote w/backlight
UTY-RSNUM	Simple Remote
UTY-XWZX	Dry Contact Wire Kit
FJ-IR-WIFI-1NA	Intesis IR WiFi module
FJ-RC-WIFI-1NA	Intesis Wired WiFi module
UTY-TFNXZ2	WiFi interface Module



This system combination is Energy Star qualified



Indoor Unit ETL#: 3170288
 Outdoor Unit ETL#: 91987



SUBMITTAL 12RLFCC



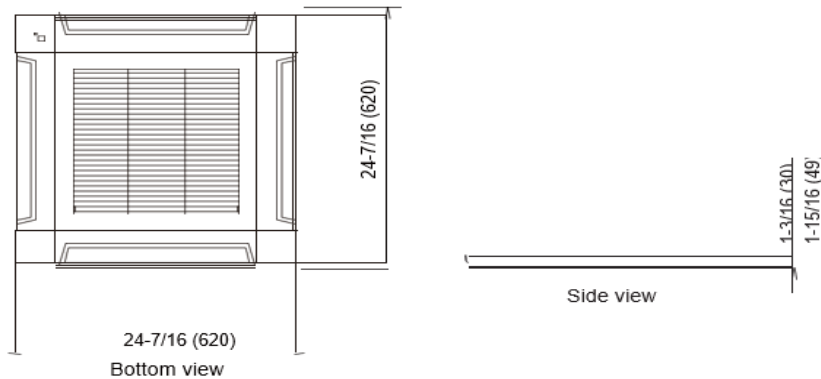
Inverter Driven Heat Pump

12,000 BTU Single Zone Compact Cassette

FAN DATA				ELECTRICAL SPECIFICATIONS				
Indoor Unit Airflow Rate	Cooling	High	CFM (m3/h)	Voltage/Frequency/Phase 208 / 230V ~ 60Hz				
		Medium		Voltage Range 107 ~ 230V				
		Low		Current				
		Quiet		Cooling Rated 4.4				
	Heating	High		Heating Rated 6.7				
		Medium		Maximum Operating Current				
		Low		Cooling 9.4				
		Quiet		Heating 10.9				
Outdoor Unit Airflow Rate	Cooling	Starting Current 6.7						
	Heating	MCA 13.4						
SOUND PRESSURE				Maximum Circuit Breaker 15				
Indoor Unit	Cooling	High	dB (A)	Input Power	Cooling	Rated	kW	0.94
		Medium			Min.-Max.	1.45		
		Low		Rated	1.44			
		Quiet		Min.-Max.	2			
	Heating	High		Power Factor	Cooling	%	94	
		Medium			Heating	%	94	
		Low		OTHER				
		Quiet		Moisture Removal pints/h (L/h) 2.5 (1.2)				
Outdoor Unit	Cooling	Energy Star Yes						
	Heating	Drain hose Material Hard PVC						
REFRIGERANT				Size	in (mm)	Ø1/2 (Ø13.0) [I.D.], Ø5/8 to Ø11/16 (Ø16.0 to Ø16.7) [O.D.]		
Type	R410A					Operation Range	Cooling	°F (°C)
Charge	lb oz	2 lb 14 oz			Heating		%RH	80 or less
	kg	1,300			Heating	°F (°C)	60 to 88 (16 to 30)	
Oil Type	FREOL							

GRILL DATA

- Grid type grille (UTG-CCGFG)



The Fujitsu logo is a worldwide trademark of Fujitsu General Limited. The Halcyon logo and name is a worldwide trademark of Fujitsu General Limited and is a registered trademark in Japan, the USA and other countries or areas. Copyright 2018 Fujitsu General America, Inc. Fujitsu's products are subject to continuous improvements. Fujitsu reserves the right to modify product design, specifications and information in this brochure without notice and without incurring any obligations.

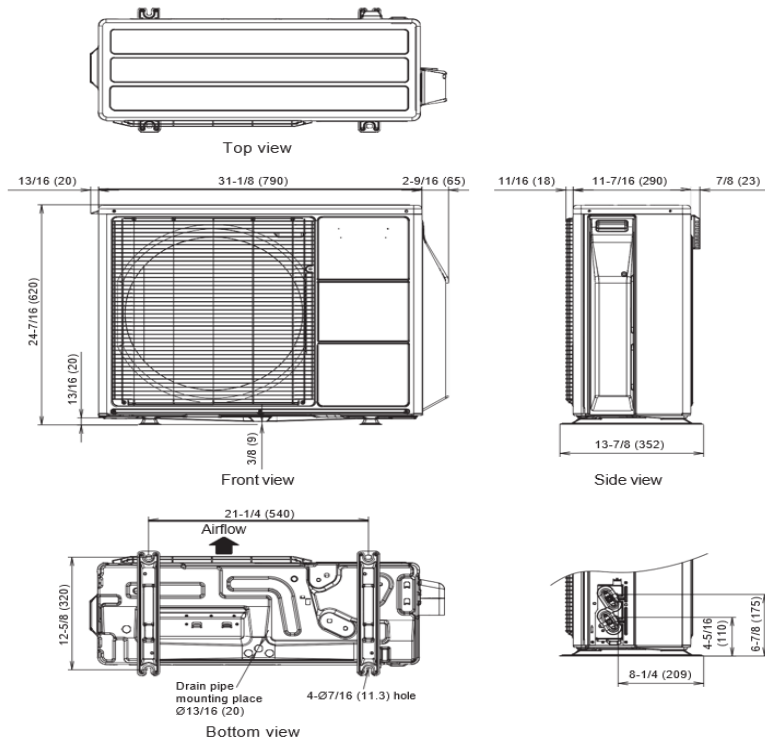
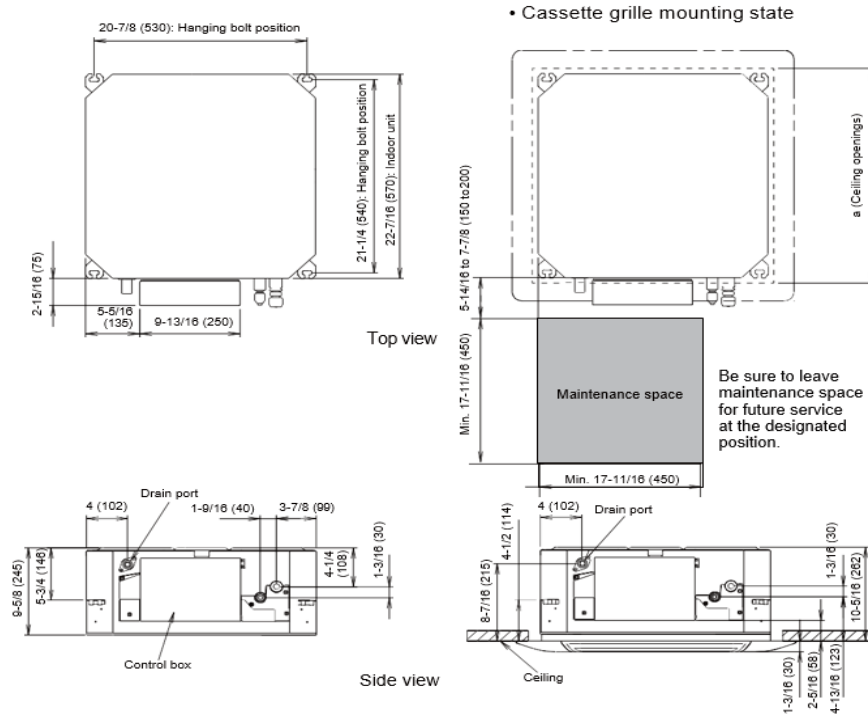
Note: Specifications are based on the following conditions:
 Cooling: Indoor temperature of 80°F (26.7°C) DB/67°F (19.4°C) WB, and outdoor temperature of 95°F (35°C) DB/75°F (23.9°C) WB. Heating: Indoor temperature of 70°F (21.1°C) DB/60°F (15.6°C) WB, and outdoor temperature of 47°F (8.3°C) DB/43°F (6.1°C) WB. Pipe length: 25ft. (7.5m), Height difference: 0ft. (0m) (Outdoor unit - indoor unit).

Inverter Driven Heat Pump

12,000 BTU Single Zone Compact Cassette

DIMENSIONS

Units: In. (mm)



The Fujitsu logo is a worldwide trademark of Fujitsu General Limited. The Halcyon logo and name is a worldwide trademark of Fujitsu General Limited and is a registered trademark in Japan, the USA and other countries or areas. Copyright 2018 Fujitsu General America, Inc. Fujitsu's products are subject to continuous improvements. Fujitsu reserves the right to modify product design, specifications and information in this brochure without notice and without incurring any obligations.

Note: Specifications are based on the following conditions:
 Cooling: Indoor temperature of 80°F (26.7°C) DB/67°F (19.4°C) WB, and outdoor temperature of 95°F (35°C) DB/75°F (23.9°C) WB. Heating: Indoor temperature of 70°F (21.1°C) DB/60°F (15.6°C) WB, and outdoor temperature of 47°F (8.3°C) DB/43°F (6.1°C) WB. Pipe length: 25ft. (7.5m), Height difference: 0ft. (0m) (Outdoor unit – indoor unit).