

### Features

- Washout urinal.
- 3/4" top spud.
- 0.125 gpf (0.47 lpf) to 1.0 gpf (3.8 lpf).
- 14" (356 mm) extended rim.
- Will replace K-4904-ET.

### Material

- Vitreous china.

### Water Conservation & Rebates

- WaterSense-compliant when used with a 0.125 gpf or 0.5 gpf WaterSense flushometer.

### Recommended Accessories

- K- 10668 WAVE DC 1/8 GPF Urinal Flushometer
- K- 10949 Tripoint™ DC 1/8 GPF Urinal Flushometer
- K- 13520 Manual 1/8 GPF Urinal Flushometer
- K- 7528 WAVE HES 1/8 GPF Urinal Flushometer
- K- 7546 Tripoint™ HES 1/8 GPF Urinal Flushometer
- K- 10675 WAVE DC 0.5 GPF Urinal Flushometer
- K- 10958 Tripoint™ DC 0.5 GPF Urinal Flushometer
- K- 7537 Tripoint™ HES 0.5 GPF Urinal Flushometer
- K- 7526 WAVE HES 0.5 GPF Urinal Flushometer
- K- 13519 Manual 0.5 GPF Urinal Flushometer
- K- 10676 WAVE DC 1.0 GPF Wshdwn Flushometer
- K- 10960 Tripoint™ DC 1.0 GPF Wshdwn Flushometer
- K- 13518 Manual 1.0 GPF Wshdwn Flushometer
- K- 7539 Tripoint™ HES 1.0 GPF Blwout Flushometer
- K- 7542 Tripoint™ HES 1.0 GPF Wshdwn Flushometer
- K- 7527 WAVE HES 1.0 GPF Wshdwn Flushometer

### Components

Additional included component/s: 3/4" inlet spud, 2" outlet spud, Strainer, and Hangers (2).



ADA

### Codes/Standards





ASME A112.19.2/CSA B45.1  
DOE - Energy Policy Act 1992  
EPA WaterSense®  
ADA  
ICC/ANSI A117.1

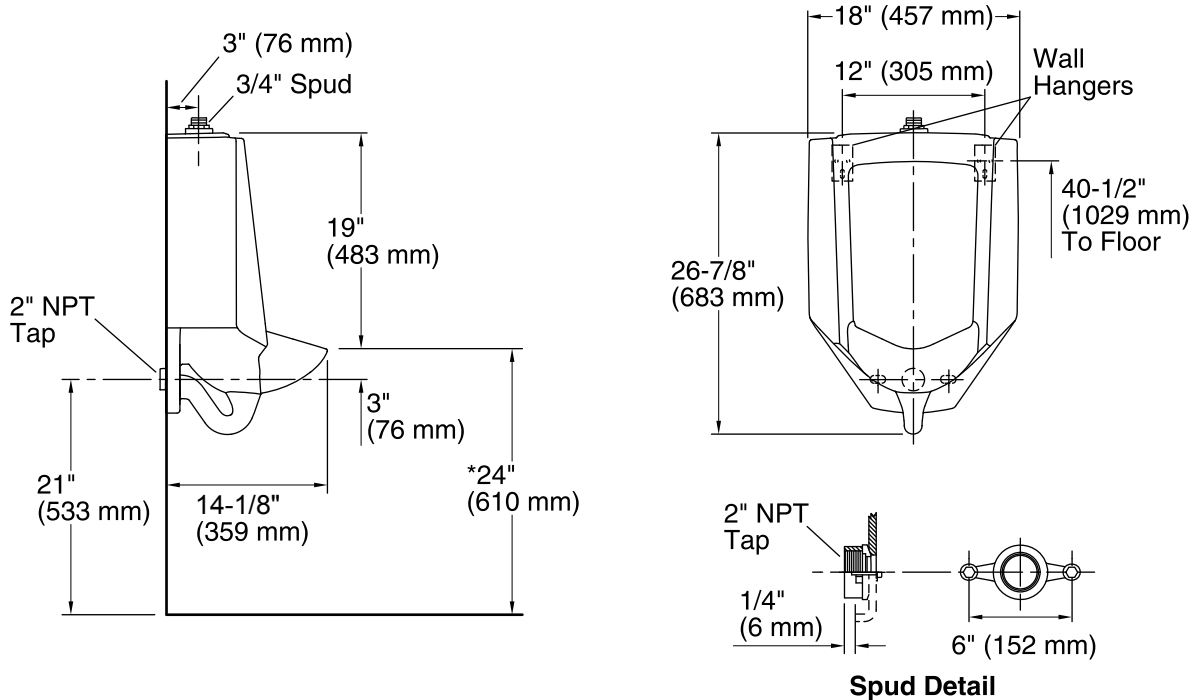
### KOHLER® One-Year Limited Warranty

See website for detailed warranty information.

### Available Color/Finishes

*Color tiles intended for reference only.*

Color	Code	Description
	0	White
	96	Biscuit
	47	Almond
	7	Black Black™



### Technical Information

All product dimensions are nominal.

Flush outlet technology: Washout

Spud size: 3/4", Inlet, Top

Min. Water per Flush: 0.125 gal (0.5 L)

Max. Water per Flush: 1 gal (3.8 L)

Designed for the above water use when installed with a water-saving flushometer.

### Notes

Install this product according to the installation guide.

Refer to manufacturer's instructions and local codes for flushometer requirements.

ADA compliant when installed to the specific requirements of these regulations.