

REFERENCE PARTS LISTING

Replacement parts may be ordered through your plumber or the local distributor. When ordering replacement parts, always have the following information ready:

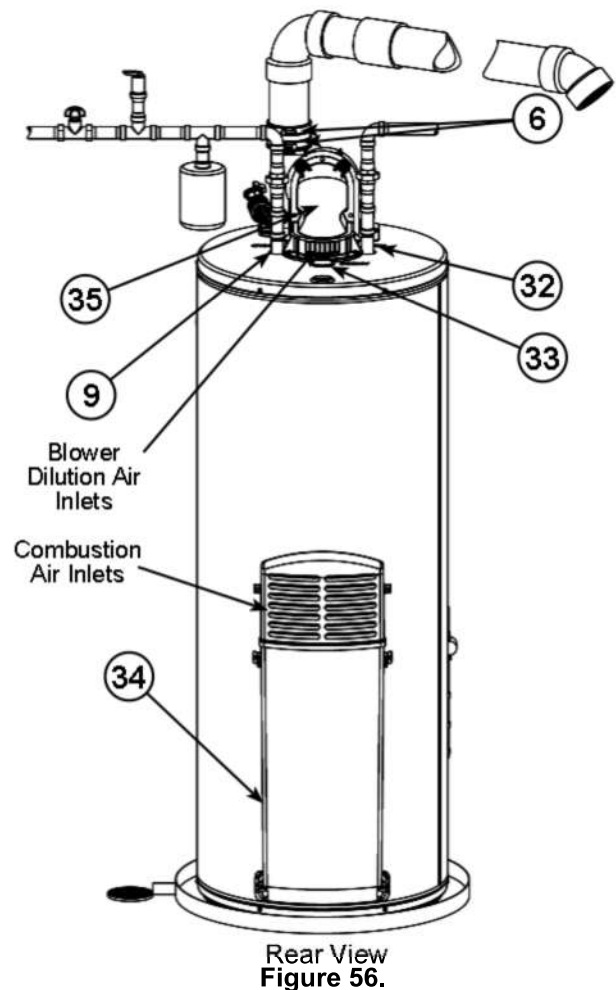
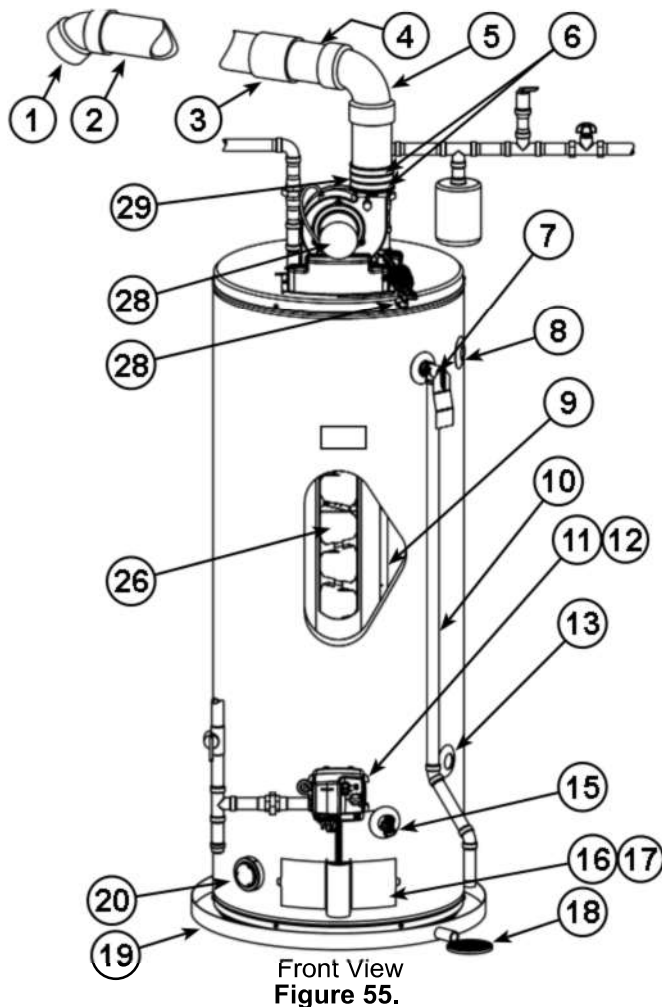
Model, Serial and Product number
 Type of gas
 Item number
 Parts description

- 1 Vent Termination Elbow with Rodent Screen
- 2 *Vent Pipe
- 3 *Vent Pipe Coupling (if required)
- 4 CPVC Vent Pipe (5 ft. supplied)
- 5 *CPVC Vent Pipe Elbow (long radius)
- 6 Gear Clamp (see Figure 6) (see also **Figure 60**)
- 7 T&P Valve
- 8 **Combo Heating System Supply Outlet (Optional)
- 9 Cold-Water Inlet Nipple/Diptube
- 10 * Discharge Pipe
- 11 Gas Control Valve/Thermostat (Honeywell)
- 12 Gas Valve Electronic Control Module And Cover (Honeywell)

- 13 **Combo Heating System Return Inlet (Optional)
- 15 Drain Valve
- 16 Outer Gas Door
- 17 Manifold Door Assembly (behind outer door) (see Figure 3 (NG) or Figure 4 (LP)) (see also **Figure 57**)
- 18 *Floor Drain
- 19 *Metal Drain Pan
- 20 Flammable Vapor Sensor (under cover) (see Figure 5) (see also **Figure 59**)
- 26 Baffle Assembly
- 28 Blower with Power Cord (see Figure 6)
- 29 *Rubber Coupling (see Figure 6) (see also **Figure 60**)
- 32 Hot-Water Outlet Nipple
- 33 Anode (under cap)
- 34 Air Inlet Snorkel
- 35 Flue Collector
- 37 Aluminum Burner (see Figure 3) (see also **Figure 57**)
- 38 Gas Orifice (see Figure 3) (see also **Figure 57**)
- 39 Gas Manifold (see Figure 3) (see also **Figure 57**)

- 40 Hot-Surface Igniter (see Figure 3) (see also **Figure 57**)
- 41 Manifold Door Gasket (see Figure 3) (see also **Figure 57**)
- 42 Manifold Door (see Figure 3) (see also **Figure 57**)
- 43 Two Piece Grommet With Clip (see Figure 3) (see also **Figure 57**)
- 44 Viewport (see Figure 3) (see also **Figure 57**)
- 45 Flame Sensor Rod (see Figure 3) (see also **Figure 57**)
- 46 Stainless Steel Burner (see Figure 4) (see also **Figure 58**)
- 47 Air Switch (inside box) (see Figure 6) (see also **Figure 60**)
- 48 Air Tubing (see Figure 6) (see also **Figure 60**)
- 49 Blower High Limit Switch (see Figure 6) (see also **Figure 60**)
- 50 Junction Box Cover (see Figure 6) (see also **Figure 60**)

* parts not supplied with the water heater
 ** The side recirculation loop connections may not be used as the primary water inlet and outlet connections. See "Combo Heating Inlet And Outlet Side Taps".



Natural gas main burner with igniter assembly (item 17 in Figure 55).

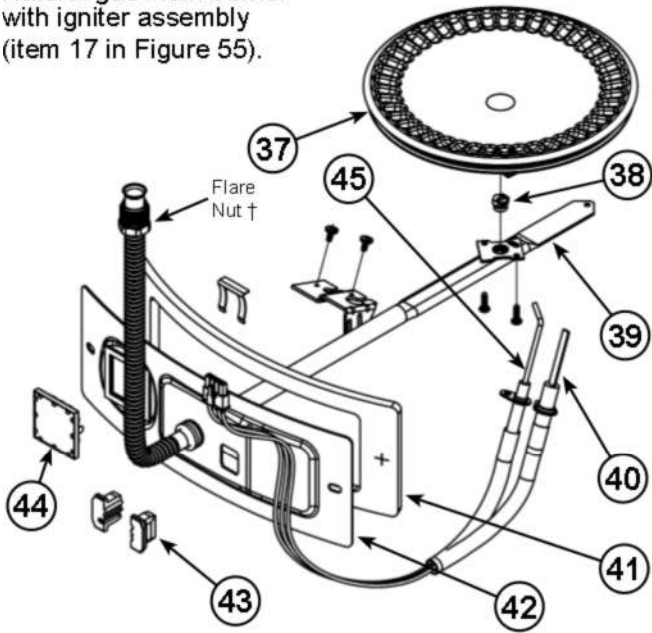


Figure 57.

Propane (LP) main burner with igniter assembly (item 17 in Figure 55).

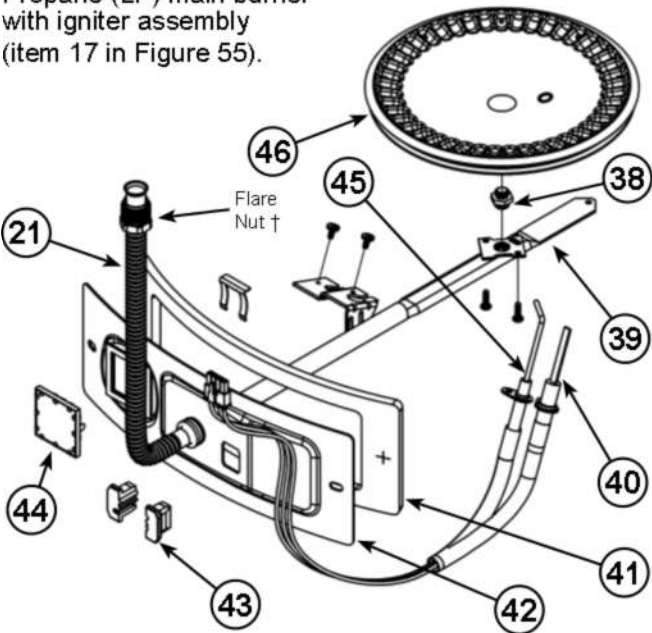


Figure 58.

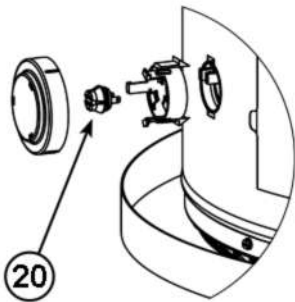


Figure 59.

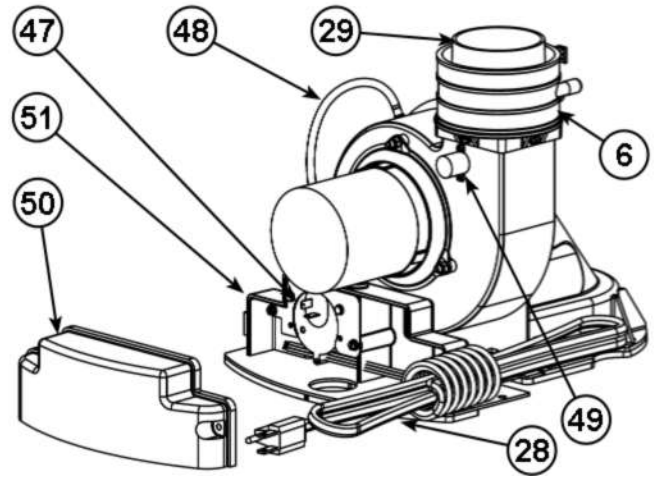


Figure 60.

Note: † For Natural gas models the Flare Nut has Right-hand thread. For Propane models the Flare Nut has Left-hand thread.