

### Features

- KOHLER cast iron
- Below-the-counter installation
- With overflow
- 19-7/16" (494 mm) x 16-1/16" (408 mm)

### UNDER-MOUNT BATHROOM SINK K-2874

ADA

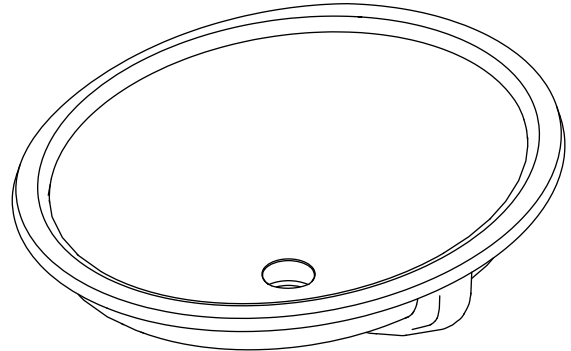
CSA B651

OBC

### Codes/Standards Applicable

Specified model meets or exceeds the following:

- ADA
- ICC/ANSI A117.1
- CSA B651
- OBC
- ASME A112.19.1/CSA B45.2



### Colors/Finishes

- 0: White
- Other: Refer to Price Book for additional colors/finishes

### Accessories

- CP: Polished Chrome
- Other: Refer to Price Book for additional colors/finishes

### Specified Model

Model	Description	Colors/Finishes	
K-2874	Under-mount bathroom sink	<input type="checkbox"/> 0	<input type="checkbox"/> Other _____
Recommended Accessories			
K-9018	P-Trap	<input type="checkbox"/> CP	<input type="checkbox"/> Other _____

### Product Specification

The under-mount bathroom sink shall be made of Kohler cast iron. Bathroom sink shall be 19-7/16" (494 mm) in length and 16-1/16" (408 mm) in width. Bathroom sink shall be with overflow. Bathroom sink shall be below-the-counter installation. Bathroom sink shall be Kohler Model K-2874-\_\_\_\_\_.

# CANVAS

## Technical Information

Fixture*:	
Basin area	17" (432 mm) x 14" (356 mm)
Basin depth	3-15/16" (100 mm)
Drain hole	Ø 1-5/8" (41 mm)
Water depth to overflow	2-5/8" (67 mm)
* Approximate measurements for comparison only.	

Included components:	
Hardware Kit	52047
Cut-out template	1151011-7

## Installation Notes

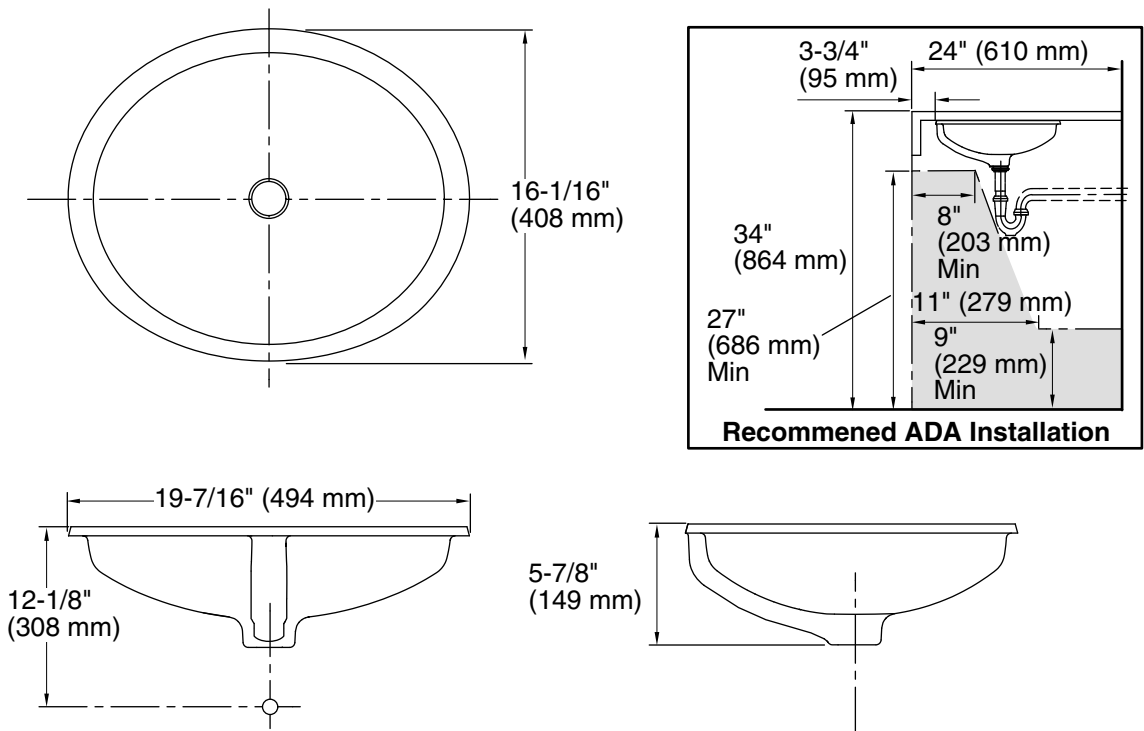
Install this product according to the installation guide.

**NOTICE:** Countertop manufacturer or cutter must use the cut-out template provided with product, or a current one provided by Kohler Co. (call 1-800-4KOHLE). Kohler Co. is not responsible for the cut-out errors when the incorrect cut-out template is used.

Will comply with **ADA** when installed per section 606 Lavatories of the Act.

Will comply with **CSA B651** when installed per Clause 4.3.3 of the standard

Will comply with **OBC** when installed per Clause 3.8.3.11.



## Product Diagram