

### Features

- Vitreous china
- Under-mount
- With overflow
- Includes 1193643 clamp assembly
- 17" (432 mm) x 13" (330 mm)

### UNDER-MOUNT BATHROOM SINK K-2330

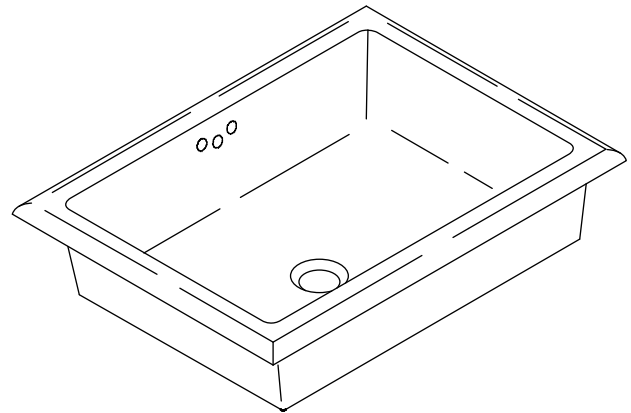
ADA

CSA B651

### Codes/Standards Applicable

Specified model meets or exceeds the following:

- ADA
- ASME A112.19.2/CSA B45.1
- ICC/ANSI A117.1
- CSA B651



### Colors/Finishes

- 0: White
- Other: Refer to Price Book for additional colors/finishes

### Specified Model

Model	Description	Colors/Finishes	
K-2330	Under-mount bathroom sink less glazed underside	<input type="checkbox"/> 0	<input type="checkbox"/> Other _____
K-2330-G	Under-mount bathroom sink with glazed underside	<input type="checkbox"/> 0	<input type="checkbox"/> Other _____

### Product Specification

The under-mount bathroom sink shall be made of vitreous china. Bathroom sink shall be 17" (432 mm) in length and 13" (330 mm) in width. Bathroom sink shall be available with overflow and includes 1193643 clamp assembly. Bathroom sink shall be Kohler Model K-2330-\_\_\_\_ or K-2330-G-\_\_\_\_\_.

# KATHRYN®

## Technical Information

Fixture*:	
Basin area	17" (432 mm) x 13" (330 mm)
Water depth	3" (76 mm)
Drain hole	Ø 1-3/4" (44 mm)
* Approximate measurements for comparison only.	
Cutout template	1006809-7
Included components:	
Basin clamp assembly	1193643

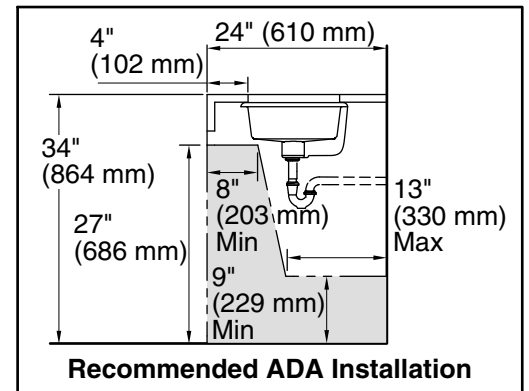
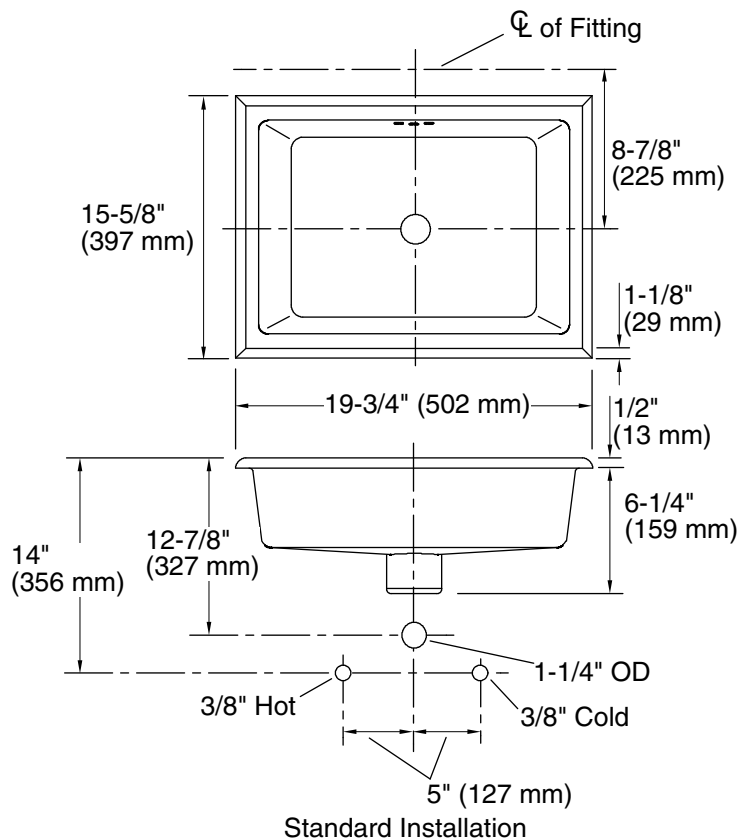
## Installation Notes

Install this product according to the installation guide.

**NOTICE:** Countertop manufacturer or cutter must use the current product template available at [www.kohler.com](http://www.kohler.com), or by calling 1-800-4KOHLER. Kohler Co. is not responsible for cutout errors when the incorrect cutout template is used.

Will comply with **ADA** when installed per section 606 Lavatories and Sinks of the 2010 ADA Standards for Accessible Design.

Will comply with **CSA B651** when installed per Clause 4.3.3 of the standard.



## Product Diagram