

Features

- Freestanding design creates a striking focal point in your bathing area
- Oval basin creates a spacious bathing experience
- Center offset toe-tap drain
- 17-1/4" (438 mm) depth offers a deep soaking experience
- Integral lumbar support on both ends
- Wide ledge on one side is ideal for deck-mount faucet and/or handshower
- Textured bottom surface
- Built-in integral overflow

Material

- Acrylic

Recommended Products/Accessories

- K-23726 Drain treatment
- K-23733 Vikrell® cleaner



Codes/Standards

- CSA B45.5/IAPMO Z124
- ASTM E162
- ASTM E662
- IAPMO Certification


STERLING® Vikrell® or Acrylic Baths and Shower Bases Ten-Year Limited Warranty

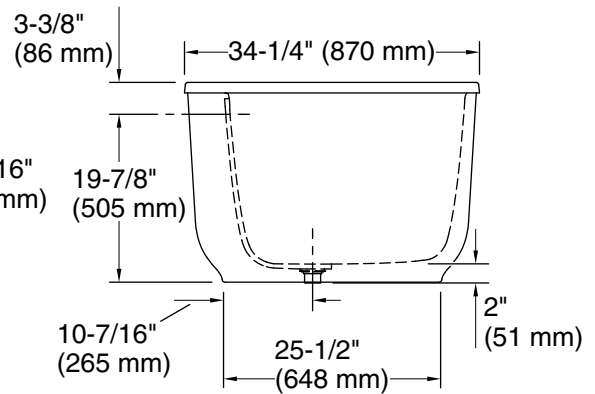
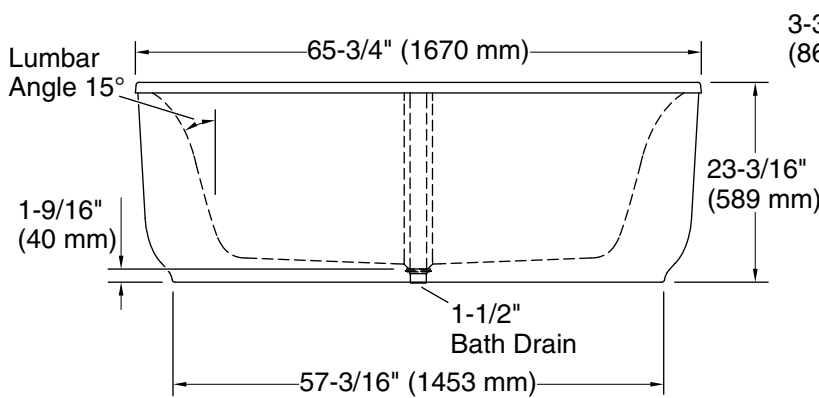
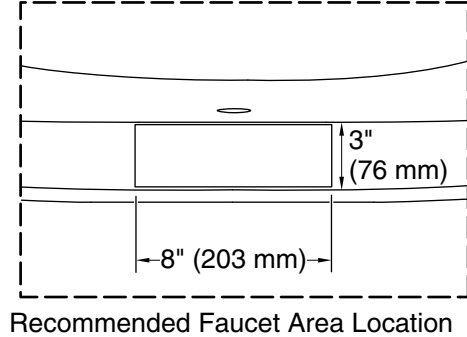
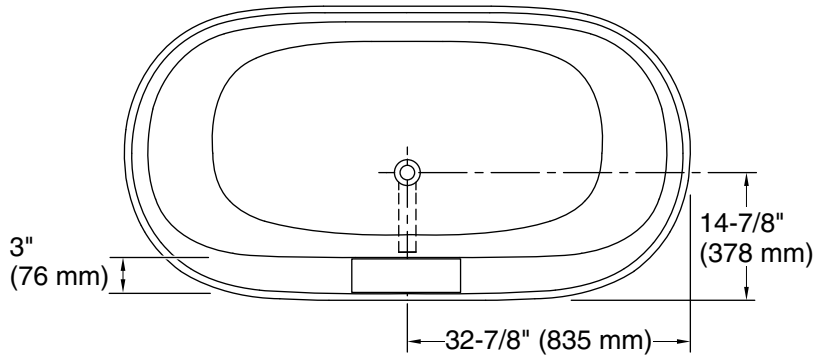
See website for detailed warranty information.

Available Colors/Finishes

Color tiles intended for reference only.

Color Code Description

	0	White
---	---	-------



Technical Information

All product dimensions are nominal.

- Drain location: Center
- Basin area, bottom: 45-1/4" x 22-1/2" (1149 mm x 571 mm)
- Basin area, top: 59" x 26-3/4" (1499 mm x 679 mm)
- Weight: 115 lbs (52.2 kg)
- Water depth: 17-1/4" (438 mm)
- Water capacity: 79 gal (299 L)

Notes

Install this product according to the installation instructions.

Measure your actual product for rough-in details.

The hot water supply should be 70% of the capacity of the bath or greater. Installations will vary.

This bath is designed for freestanding installation only.

If installing a rim-mount faucet, make sure there is no interference above or below the deck before drilling any holes.