

Feature

- 150# WSP / 600# WOG
- Lead free brass body
- Full port
- Adjustable packing
- FNPT x FNPT
- Threaded ends (ASME B1.20.1-NPT)
- Blow-out proof stem
- Chrome plated ball
- Virgin PTFE seats
- MSS-SP-110
- 550 psi for UL use (1½" & 2")
- CSA B125.14 (¼" - 2")
- CSA ½, 5 & 125 psi (½" - 2")
- CSA ½ & 5 psi (2½" & 3")
- UL approved (¼" - 2")
- FM approved (½" - 2")
- AB1953, NSF/ANSI 61 & 372 certified

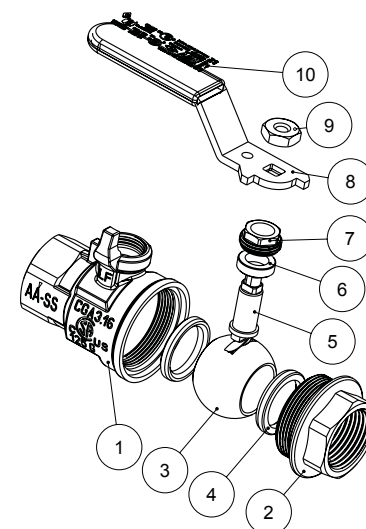


Meet BAA requirement

Pressure/ Temperature rating	
600 psi from 15 °F to 160 °F	150 psi max. at 366 °F

Material

	Part	Material	Specification
1	Body	Lead Free Brass	ASTM B927 C28500
2	End piece	Lead Free Brass	ASTM B927 C28500
3	Ball	Lead Free Brass / Cr plated	ASTM B927 C28500
4	Seat	PTFE	PTFE
5	Stem	Lead Free Brass	ASTM B927 C28500
6	Packing	PTFE	PTFE
7	Packing nut	Brass	ASTM B124 C37700
8	Handle	Steel / Geomet® plated	ASTM A36
9	Handle nut	Steel / Zn plated	ASTM A36
10	Valve info	-	-



Dimension, Cv, Weight

	Φ	A [in]	C [in]	H [in]	L [in]	P [in]	Cv	Wt. [lb]
¼"	¼ - 18 NPT	1.73	0.45	1.55	3.19	0.39	8	0.34
⅜"	⅜ - 18 NPT	1.73	0.45	1.55	3.19	0.39	8	0.32
½"	½ - 14 NPT	2.13	0.55	2.13	3.60	0.59	15	0.58
¾"	¾ - 14 NPT	2.56	0.59	2.26	3.60	0.79	30	0.86
1"	1 - 11.5 NPT	2.92	0.71	2.57	4.98	0.98	60	1.34
1¼"	1¼ - 11.5 NPT	3.39	0.73	2.79	4.98	1.26	110	2.14
1½"	1½ - 11.5 NPT	3.90	0.77	3.28	5.57	1.57	130	3.12
2"	2 - 11.5 NPT	4.45	0.81	3.58	5.57	1.97	360	4.82
2½"	2½ - 8 NPT	6.02	1.18	4.70	11.07	2.56	450	9.78
3"	3 - 8 NPT	6.81	1.22	5.15	11.07	3.15	620	13.9
4"	4 - 8 NPT	7.64	1.32	5.64	11.07	3.94	1200	20.4

