

Features

- Solid brass construction.
- Preforated strainer shower drain.
- Included 2" plastic pipe gasket/bushing
- For acrylic, fiberglass, Cast Iron or Vikrell shower receptors
- Available in Kohler finishes

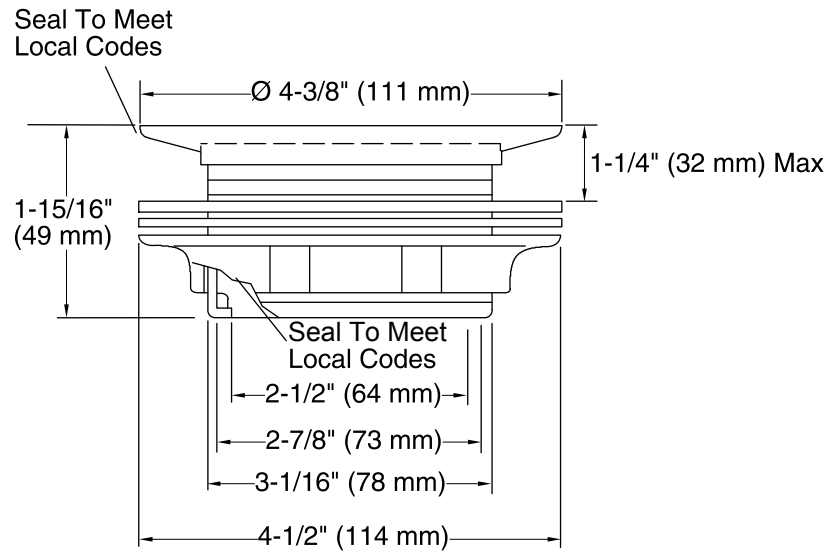


Codes/Standards

ASME A112.18.2/CSA B125.2

Kohler One-Year Limited Warranty

See website for detailed warranty information.



K-9132

Technical Information

All product dimensions are nominal.

Notes

Install this product according to the installation guide.