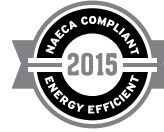




# Residential Electric

## Water Heaters



### SELECT® SPECIALTY ELECTRIC

#### TABLE TOP

- Features a convenient flat porcelain surface at 36" height, providing extra "counter space" wherever installed. All plumbing and electrical connections are made through the back of the water heater. This heater is equipped with a PEX cross-linked polymer dip tube.

#### POINT-OF-USE

- Designed for low-demand, such as office lavatories or buildings with remote restrooms.

#### COMPACT

- Side-mounted plumbing and electrical connections (optional top-mounted water connections for field conversion). Designed for installation under a counter, in a crawl space or in other tight spaces.

#### BLUE DIAMOND® GLASS COATING

- Provides superior corrosion resistance compared to industry standard glass lining.

#### ENHANCED-FLOW BRASS DRAIN VALVE

- Our standard residential water heaters have a solid brass, tamper resistant, enhanced flow, ball type, drain valve.
- Uses a standard female hose fitting that allows for fast and easy draining during maintenance.
- Designed for easy operation, this valve includes an integral screwdriver slot that features a ¼ turn (open/close) radius, which not only permits full straight-through water flow but also a quick and positive shut off.

#### CODE COMPLIANCE

- Meets UBC, CEC and HUD National Codes.
- Meets the thermal efficiency and standby loss requirements of the U.S. Department of Energy and current edition of ASHRAE/IESNA 90.1.
- Complies with the Federal Energy Conservation Standards effective April 16, 2015, in accordance with the Energy Policy and Conservation Act (EPCA), as amended.

#### APPROVED FOR MANUFACTURED HOUSING

- All residential electric water heaters are compliant with HUD Standards for mobile homes/manufactured housing.

#### CERTIFIED TO UL 174 FOR HOUSEHOLD ELECTRIC WATER HEATERS

#### CSA CERTIFIED AND ASME RATED T&P RELIEF VALVE

#### DESIGN-LISTED BY UNDERWRITERS LABORATORIES

- Certified at 300 PSI test pressure and 150 PSI working pressure.
- Listed according to UL 174 standards governing storage tank-type electric water heaters.

#### 6-YEAR LIMITED TANK AND PARTS WARRANTY

- For complete information consult the written warranty or State Water Heaters.



Low Lead Content

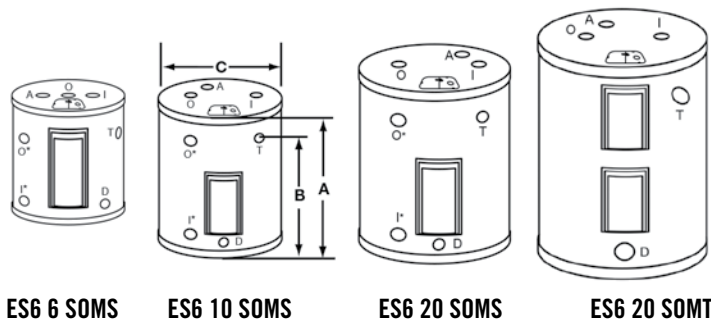
# SOLID. STATE.

Model Number	Gallon Capacity	First Hour Rating Gallon	Energy Factor	Element Wattage		Recovery @ 90°F Rise Gallons Per Hour	Dimensions in Inches			Approx. Shipping Weight (lbs)
				Standard	Maximum		A	B	C	
<b>COMPACT MODELS</b>										
				120V	240V					
ES6 6 SOMS K	6	N/A	N/A	1650	3000	8	15-1/4	10-3/4	14-1/4	35
ES6 10 SOMS K	10	N/A	N/A	1650	6000	8	18-1/4	12-1/4	16	41
ES6 20 SOMS K	19	N/A	N/A	2500	6000	11	24-3/4	18-5/8	18	68
ES6 20 SOMT K	19.9	N/A	N/A	2500	6000	11	31-5/8	25-3/4	16	68
<b>LOWBOY SIDE-CONNECT MODEL</b>										
				240V						
EN6 30 DOMBS*	28	39	0.95	4500	6000	21	30	21-3/4	22	101
EN6 30 DOMS	28	39	0.95	4500	6000	21	31-1/4	21-3/4	24	115
EN6 40 DOMBS*	38	47	0.95	4500	6000	21	31-3/4	24	24	118
EN6 40 DOMS	38	44	0.95	4500	6000	21	33-1/2	24	26	118
<b>TABLE TOP MODEL</b>										
				240V						
EN6 38 20TT	38	45	0.88	4500	5500	21	36	24	25	150
<b>POINT-OF-USE MODELS</b>										
				120V						
ES6 2 SSUS K	2.5	N/A	N/A	1500 @ 120V		7	13-3/4	11	13-3/4	20

\*Models ship with a supplied insulation blanket.  
Dimensions and specifications subject to change without notice in accordance with our policy of continuous product improvement.

†Top mounted T&P adds approximately 3" additional to overall height.  
Water connection is 3/4" on Table Top and Compact models and 1/2" NPT on Point-Of-Use models.

### Compact Models



ES6 6 SOMS

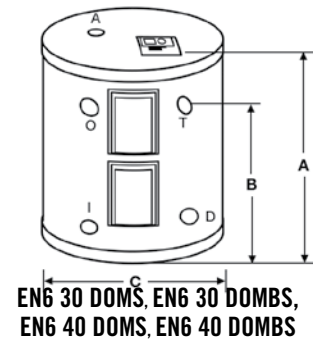
ES6 10 SOMS

ES6 20 SOMS

ES6 20 SOMT

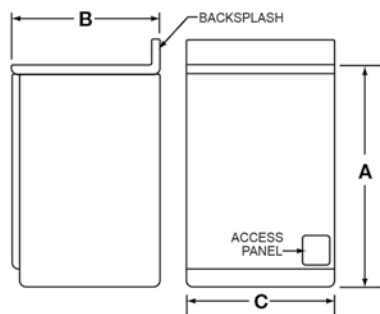
I	Inlet	D	Drain	I*	Plugged Inlet
O	Outlet	T	T&P	O*	Plugged Outlet

### Lowboy



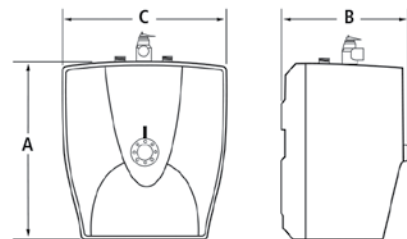
EN6 30 DOMS, EN6 30 DOMBS,  
EN6 40 DOMS, EN6 40 DOMBS

### Table Top Model



EN6 38 20TT

### Point-Of-Use



ES6 2 SSUSK