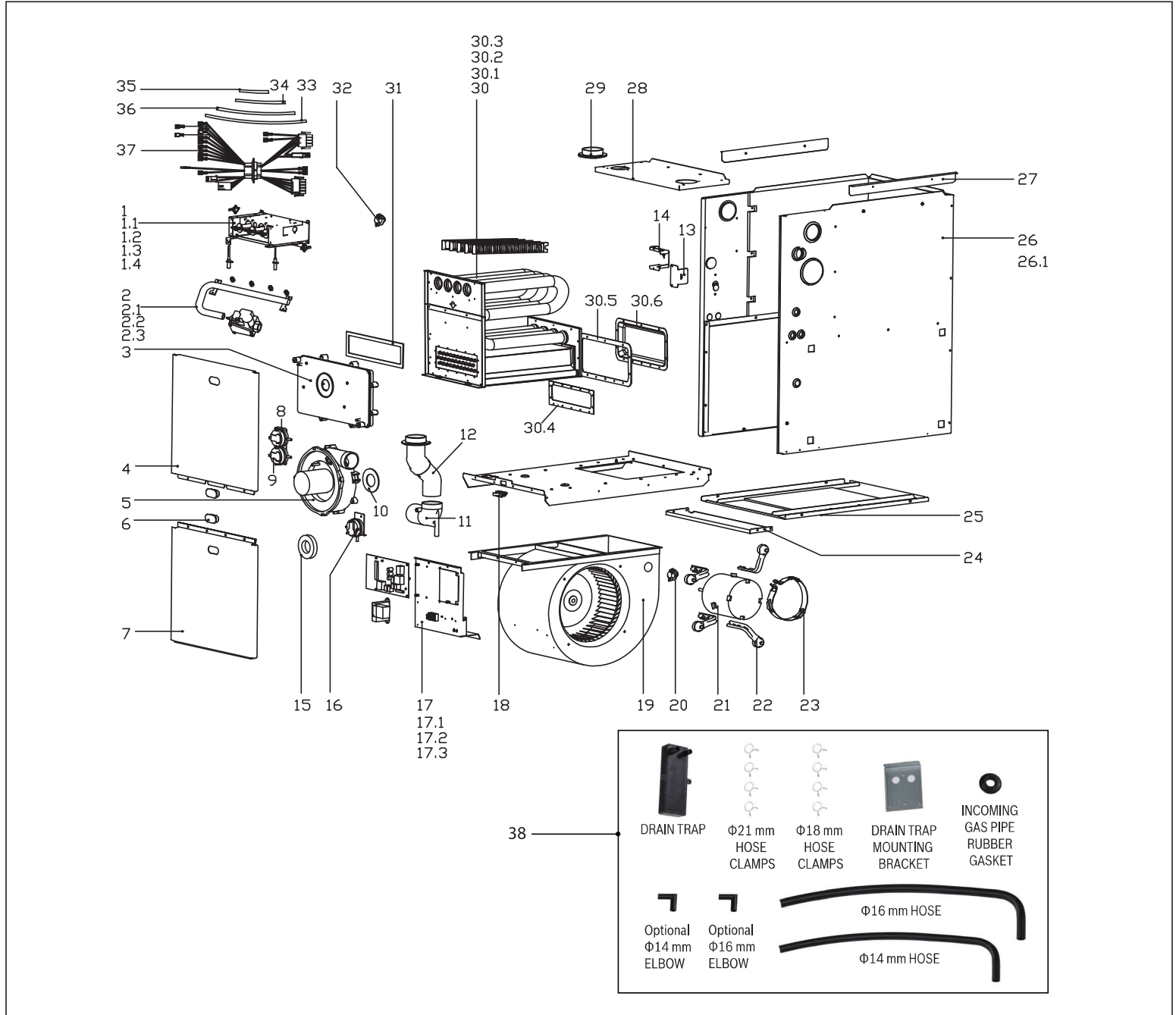



# Bosch 96% AFUE Gas Furnace BGH96 Model Condensing Gas Furnace

## BGH96M080B3B



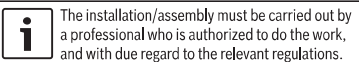
**i** The installation/assembly must be carried out by a professional who is authorized to do the work, and with due regard to the relevant regulations.

| Pos.                | Description                          | Ordering no. | BGH96M080B3B | Recommended Stocking | Remarks |
|---------------------|--------------------------------------|--------------|--------------|----------------------|---------|
| 1                   | Burner assembly                      | 8733952515   | ■            | ✓                    |         |
| 1.1                 | Rollout switch - resettable          | 8733952457   | ■            | ✓                    |         |
| 1.2                 | Ignitor                              | 8733951178   | ■            | ✓                    |         |
| 1.3                 | Flame sensor                         | 8733951177   | ■            | ✓                    |         |
| 1.4                 | Burner                               | 8733952458   | ■            | ✓                    |         |
| 2                   | Gas pipe assembly                    | 8733956290   | ■            |                      |         |
| 2.1                 | Gas valve-two stage                  | 8733956229   | ■            | ✓                    |         |
| 2.2                 | NG Orifice (0-2000, #45)             | 8733952461   | ■            | ✓                    |         |
| 2.3                 | Gas pipe                             | 8733952517   | ■            |                      |         |
| 3                   | Drain box                            | 8733952523   | ■            |                      |         |
| 4                   | Panel, Upper Front (silver)          | 8733955598   | ■            |                      |         |
| 5                   | Inducer                              | 8733952518   | ■            | ✓                    |         |
| 6                   | Sight Glass                          | 8733951202   | ■            |                      |         |
| 7                   | Panel, Lower Front (silver)          | 8733955599   | ■            |                      |         |
| 8                   | Pressure switch (High fire)          | 8733952475   | ■            | ✓                    |         |
| 9                   | Pressure switch (low fire)           | 8733952468   | ■            | ✓                    |         |
| 10                  | Inducer gasket                       | 8733952469   | ■            | ✓                    |         |
| 11                  | Flue discharge elbow                 | 8733952470   | ■            |                      |         |
| 12                  | Flue discharge pipe joint assembly   | 8733952471   | ■            |                      |         |
| 13                  | Junction box cover                   | 8733952472   | ■            |                      |         |
| 14                  | Junction box                         | 8733952476   | ■            |                      |         |
| 15                  | Flue discharge clasp                 | 8733952519   | ■            |                      |         |
| 16                  | Pressure switch (water level)        | 8733952467   | ■            | ✓                    |         |
| 17                  | Electric control box assembly        | 8733956292   | ■            |                      |         |
| 17.1                | Transformer                          | 8733951192   | ■            | ✓                    |         |
| 17.2                | Main control board assembly          | 8733956230   | ■            | ✓                    |         |
| 17.3                | Terminal block                       | 8733952478   | ■            |                      |         |
| 18                  | Door switch                          | 8733951212   | ■            | ✓                    |         |
| 19                  | Blower Housing                       | 8733952526   | ■            |                      |         |
| 20                  | Fan mounted temperature limit switch | 8733952480   | ■            | ✓                    |         |
| 21                  | ECM blower motor                     | 8733956294   | ■            | ✓                    |         |
| 22                  | Motor bracket ass'y I                | 8733952482   | ■            |                      |         |
| 23                  | Motor bracket                        | 8733952483   | ■            |                      |         |
| 24                  | Bottom Support Plate (silver)        | 8733955600   | ■            |                      |         |
| 25                  | Bottom Return Plate                  | 8733952529   | ■            |                      |         |
| 26                  | Cabinet Assembly (silver)            | 8733955601   | ■            |                      |         |
| 26.1                | Blower Partition Panel               | 8733952509   | ■            |                      |         |
| 27                  | Supporting bar assembly              | 8733952488   | ■            |                      |         |
| 28                  | Panel, Top (silver)                  | 8733955602   | ■            |                      |         |
| 29                  | Air inlet pipe joint                 | 8733952490   | ■            |                      |         |
|                     |                                      |              |              |                      |         |
|                     |                                      |              |              |                      |         |
|                     |                                      |              |              |                      |         |
|                     |                                      |              |              |                      |         |
|                     |                                      |              |              |                      |         |
|                     |                                      |              |              |                      |         |
|                     |                                      |              |              |                      |         |
| <b>BGH96M080B3B</b> |                                      |              |              |                      |         |

 The installation/assembly must be carried out by a professional who is authorized to do the work, and with due regard to the relevant regulations.




| Pos.  | Description                        | Ordering no. | BGH96M060B3B | BGH96M080B3B | BGH96M080C4B | BGH96M100C5B | BGH96M100D5B | BGH96M120D5B | Remarks |
|---|------------------------------------|--------------|--------------|--------------|--------------|--------------|--------------|--------------|---------|
| 1   | Burner assembly                    | 8733952535   | ■            |              |              |              |              |              |         |
|   | Burner assembly                    | 8733952515   |              | ■            | ■            |              |              |              |         |
|   | Burner assembly                    | 8733952497   |              |              |              | ■            | ■            |              |         |
|   | Burner assembly                    | 8733952456   |              |              |              |              |              | ■            |         |
| 1.1   | Rollout switch - resettable        | 8733952457   | ■            | ■            | ■            | ■            | ■            | ■            |         |
| 1.2   | Ignitor                            | 8733951178   | ■            | ■            | ■            | ■            | ■            | ■            |         |
| 1.3   | Flame sensor                       | 8733951177   | ■            | ■            | ■            | ■            | ■            | ■            |         |
| 1.4   | Burner                             | 8733952458   | ■            | ■            | ■            | ■            | ■            | ■            |         |
| 2   | Gas pipe assembly                  | 8733956291   | ■            |              |              |              |              |              |         |
|   | Gas pipe assembly                  | 8733956290   |              | ■            | ■            |              |              |              |         |
|   | Gas pipe assembly                  | 8733956289   |              |              |              | ■            | ■            |              |         |
|   | Gas pipe assembly                  | 8733956288   |              |              |              |              |              | ■            |         |
| 2.1   | Gas valve-two stage                | 8733956229   | ■            | ■            | ■            | ■            | ■            | ■            |         |
| 2.2   | NG Orifice (0-2000,#45)            | 8733952461   | ■            | ■            | ■            | ■            | ■            | ■            |         |
| 2.3   | Gas pipe                           | 8733952537   | ■            |              |              |              |              |              |         |
|   | Gas pipe                           | 8733952517   |              | ■            | ■            |              |              |              |         |
|   | Gas pipe                           | 8733952499   |              |              |              | ■            | ■            |              |         |
|   | Gas pipe                           | 8733952462   |              |              |              |              |              | ■            |         |
| 3   | Drain box                          | 8733952523   | ■            | ■            |              |              |              |              |         |
|   | Drain box                          | 8733952503   |              |              | ■            | ■            |              |              |         |
|   | Drain box                          | 8733952463   |              |              |              |              | ■            | ■            |         |
| 4   | Panel, Upper Front (silver)        | 8733955598   | ■            | ■            |              |              |              |              |         |
|   | Panel, Upper Front (silver)        | 8733955593   |              |              | ■            | ■            |              |              |         |
|   | Panel, Upper Front (silver)        | 8733955588   |              |              |              |              | ■            | ■            |         |
| 5   | Inducer                            | 8733952518   | ■            | ■            | ■            |              |              |              |         |
|   | Inducer                            | 8733952465   |              |              |              | ■            | ■            | ■            |         |
| 6   | Sight Glass                        | 8733951202   | ■            | ■            | ■            | ■            | ■            | ■            |         |
| 7   | Panel, Lower Front (silver)        | 8733955599   | ■            | ■            |              |              |              |              |         |
|   | Panel, Lower Front (silver)        | 8733955594   |              |              | ■            | ■            |              |              |         |
|   | Panel, Lower Front (silver)        | 8733955589   |              |              |              |              | ■            | ■            |         |
| 8   | Pressure switch(high fire)         | 8733952475   | ■            | ■            | ■            | ■            | ■            | ■            |         |
| 9   | Pressure switch(low fire)          | 8733952468   | ■            | ■            | ■            | ■            | ■            | ■            |         |
| 10  | Inducer gasket                     | 8733952469   | ■            | ■            | ■            | ■            | ■            | ■            |         |
| 11  | Flue discharge elbow               | 8733952470   | ■            | ■            | ■            | ■            | ■            | ■            |         |
| 12  | Flue discharge pipe joint assembly | 8733952471   | ■            | ■            | ■            | ■            | ■            | ■            |         |
| 13  | Junction box cover                 | 8733952472   | ■            | ■            | ■            | ■            | ■            | ■            |         |
| 14  | Junction box                       | 8733952476   | ■            | ■            | ■            | ■            | ■            | ■            |         |
| 15  | Flue discharge clasp               | 8733952538   | ■            |              |              |              |              |              |         |
|   | Flue discharge clasp               | 8733952519   |              | ■            | ■            |              |              |              |         |
|   | Flue discharge clasp               | 8733952500   |              |              |              | ■            | ■            |              |         |
|   | Flue discharge clasp               | 8733952474   |              |              |              |              |              | ■            |         |
| 16  | Pressure switch(water level)       | 8733952467   | ■            | ■            | ■            | ■            | ■            | ■            |         |
|   |                                    |              |              |              |              |              |              |              |         |
|   |                                    |              |              |              |              |              |              |              |         |
|   |                                    |              |              |              |              |              |              |              |         |
|   |                                    |              |              |              |              |              |              |              |         |
|   |                                    |              |              |              |              |              |              |              |         |
| <p><b>All Models: BGH96M060B3B   BGH96M080B3B   BGH96M080C4B   BGH96M100C5B   BGH96M100D5B   BGH96M120D5B</b></p> |                                    |              |              |              |              |              |              |              |         |




The installation/assembly must be carried out by a professional who is authorized to do the work, and with due regard to the relevant regulations.

| Pos.   | Description                          | Ordering no. | BGH96M060B3B | BGH96M080B3B | BGH96M080C4B | BGH96M100C5B | BGH96M100D5B | BGH96M120D5B | Remarks |
|--|--------------------------------------|--------------|--------------|--------------|--------------|--------------|--------------|--------------|---------|
| 17   | Electric control box assembly        | 8733956292   | ■            | ■            | ■            | ■            | ■            | ■            |         |
| 17.1   | Transformer                          | 8733951192   | ■            | ■            | ■            | ■            | ■            | ■            |         |
| 17.2   | Main control board assembly          | 8733956230   | ■            | ■            | ■            | ■            | ■            | ■            |         |
| 17.3   | Terminal block                       | 8733952478   | ■            | ■            | ■            | ■            | ■            | ■            |         |
| 18   | Door switch                          | 8733951212   | ■            | ■            | ■            | ■            | ■            | ■            |         |
| 19   | Blower Housing                       | 8733952526   | ■            | ■            |              |              |              |              |         |
| 19   | Blower Housing                       | 8733952479   |              |              | ■            | ■            | ■            | ■            |         |
| 20   | Fan mounted temperature limit switch | 8733952480   | ■            | ■            | ■            | ■            | ■            | ■            |         |
| 21   | ECM blower motor                     | 8733956294   | ■            | ■            | ■            |              |              |              |         |
|  | ECM blower motor                     | 8733956293   |              |              |              | ■            | ■            | ■            |         |
| 22   | Motor bracket ass'y I                | 8733952482   | ■            | ■            | ■            | ■            | ■            | ■            |         |
| 23   | Motor bracket II                     | 8733952483   | ■            | ■            | ■            | ■            | ■            | ■            |         |
| 24   | Bottom Support Plate (silver)        | 8733955600   | ■            | ■            |              |              |              |              |         |
|  | Bottom Support Plate (silver)        | 8733955595   |              |              | ■            | ■            |              |              |         |
|  | Bottom Support Plate (silver)        | 8733955590   |              |              |              |              | ■            | ■            |         |
| 25   | Bottom Return Plate                  | 8733952529   | ■            | ■            |              |              |              |              |         |
|  | Bottom Return Plate                  | 8733952507   |              |              | ■            | ■            |              |              |         |
|  | Bottom Return Plate                  | 8733952485   |              |              |              |              | ■            | ■            |         |
| 26   | Cabinet Assembly (silver)            | 8733955601   | ■            | ■            |              |              |              |              |         |
|  | Cabinet Assembly (silver)            | 8733955596   |              |              | ■            | ■            |              |              |         |
|  | Cabinet Assembly (silver)            | 8733955591   |              |              |              |              | ■            | ■            |         |
| 26.1   | Blower Partition Panel               | 8733952509   | ■            | ■            |              |              |              |              |         |
|  | Blower Partition Panel               | 8733952539   |              |              | ■            | ■            |              |              |         |
|  | Blower Partition Panel               | 8733952487   |              |              |              |              | ■            | ■            |         |
| 27   | Supporting bar assembly              | 8733952488   | ■            | ■            | ■            | ■            | ■            | ■            |         |
| 28   | Panel, Top (silver)                  | 8733955602   | ■            | ■            |              |              |              |              |         |
|  | Panel, Top (silver)                  | 8733955597   |              |              | ■            | ■            |              |              |         |
|  | Panel, Top (silver)                  | 8733955592   |              |              |              |              | ■            | ■            |         |
| 29   | Air inlet pipe joint                 | 8733952490   | ■            | ■            | ■            | ■            | ■            | ■            |         |
| 30   | Heat exchanger assembly              | 8733956300   | ■            |              |              |              |              |              |         |
|  | Heat exchanger assembly              | 8733956299   |              | ■            |              |              |              |              |         |
|  | Heat exchanger assembly              | 8733956298   |              |              | ■            |              |              |              |         |
|  | Heat exchanger assembly              | 8733956297   |              |              |              | ■            |              |              |         |
|  | Heat exchanger assembly              | 8733956296   |              |              |              |              | ■            |              |         |
|  | Heat exchanger assembly              | 8733956295   |              |              |              |              |              | ■            |         |
| 30.1   | Primary heat exchanger               | 8733952541   | ■            |              |              |              |              |              |         |
|  | Primary heat exchanger               | 8733952532   |              | ■            |              |              |              |              |         |
|  | Primary heat exchanger               | 8733952522   |              |              | ■            |              |              |              |         |
|  | Primary heat exchanger               | 8733952512   |              |              |              | ■            |              |              |         |
|  | Primary heat exchanger               | 8733952502   |              |              |              |              | ■            |              |         |
|  | Primary heat exchanger               | 8733952492   |              |              |              |              |              | ■            |         |
|  |                                      |              |              |              |              |              |              |              |         |
|  |                                      |              |              |              |              |              |              |              |         |
|  |                                      |              |              |              |              |              |              |              |         |
|  |                                      |              |              |              |              |              |              |              |         |
|  |                                      |              |              |              |              |              |              |              |         |
| <b>All Models: BGH96M060B3B   BGH96M080B3B   BGH96M080C4B   BGH96M100C5B   BGH96M100D5B   BGH96M120D5B</b> |                                      |              |              |              |              |              |              |              |         |

 The installation/assembly must be carried out by a professional who is authorized to do the work, and with due regard to the relevant regulations.



| Gas Conversion Kit   |                                |              |              |              |              |              |              |              |         |
|--|--------------------------------|--------------|--------------|--------------|--------------|--------------|--------------|--------------|---------|
| Pos.   | Description                    | Ordering no. | BGH96M060B3B | BGH96M080B3B | BGH96M080C4B | BGH96M100C5B | BGH96M100D5B | BGH96M120D5B | Remarks |
| N/A  | NG Orifice (0-2000ft) #45      | 8733952997   | ■            | ■            | ■            | ■            | ■            | ■            |         |
| N/A  | LP Orifice (0-2000ft) #55      | 8733952998   | ■            | ■            | ■            | ■            | ■            | ■            |         |
| N/A  | NG Orifice (2000-4000ft) #47   | 8733952999   | ■            | ■            | ■            | ■            | ■            | ■            |         |
| N/A  | LP Orifice (2000-4000ft) #56   | 8733953000   | ■            | ■            | ■            | ■            | ■            | ■            |         |
| N/A  | NG Orifice (4000-6000ft) #48   | 8733953001   | ■            | ■            | ■            | ■            | ■            | ■            |         |
| N/A  | LP Orifice (4000-6000ft) #57   | 8733951604   | ■            | ■            | ■            | ■            | ■            | ■            |         |
| N/A  | NG Orifice (6000-8000ft) #49   | 8733951218   | ■            | ■            | ■            | ■            | ■            | ■            |         |
| N/A  | LP Orifice (6000-8000ft) #58   | 8733952068   | ■            | ■            | ■            | ■            | ■            | ■            |         |
| N/A  | NG Orifice (8000-10000ft) #50  | 8733952069   | ■            | ■            | ■            | ■            | ■            | ■            |         |
| N/A  | LP Orifice (8000-10000ft) #59  | 8733952070   | ■            | ■            | ■            | ■            | ■            | ■            |         |
| N/A  | Conversion Kit (from NG to LP) | 8733953504   | ■            | ■            | ■            | ■            | ■            | ■            |         |
| N/A  | Conversion Kit (From LP to NG) | 8733953505   | ■            | ■            | ■            | ■            | ■            | ■            |         |
|  |                                |              |              |              |              |              |              |              |         |
|  |                                |              |              |              |              |              |              |              |         |
| <b>All Models: BGH96M060B3B   BGH96M080B3B   BGH96M080C4B   BGH96M100C5B   BGH96M100D5B   BGH96M120D5B</b> |                                |              |              |              |              |              |              |              |         |

 The installation/assembly must be carried out by a professional who is authorized to do the work, and with due regard to the relevant regulations.