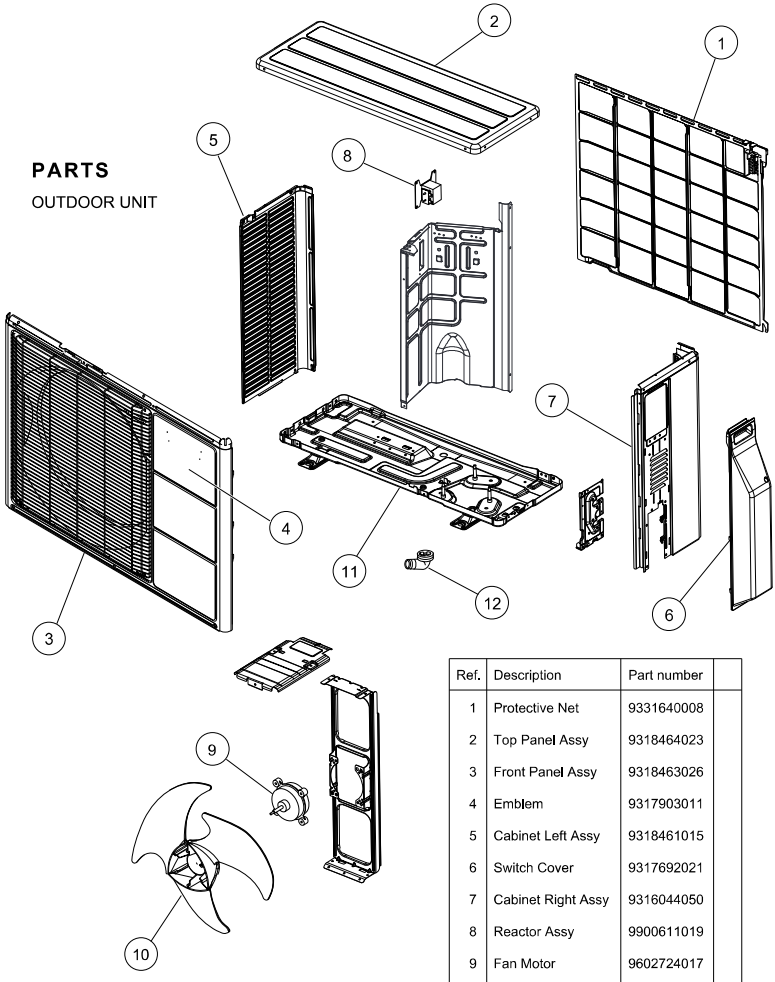
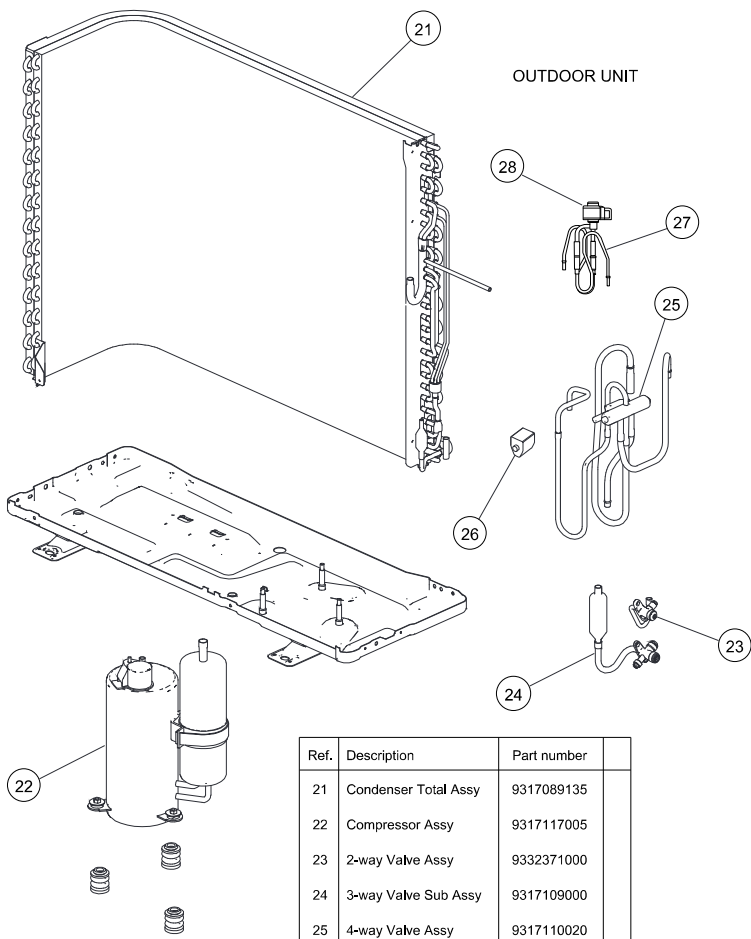


**PARTS**  
OUTDOOR UNIT



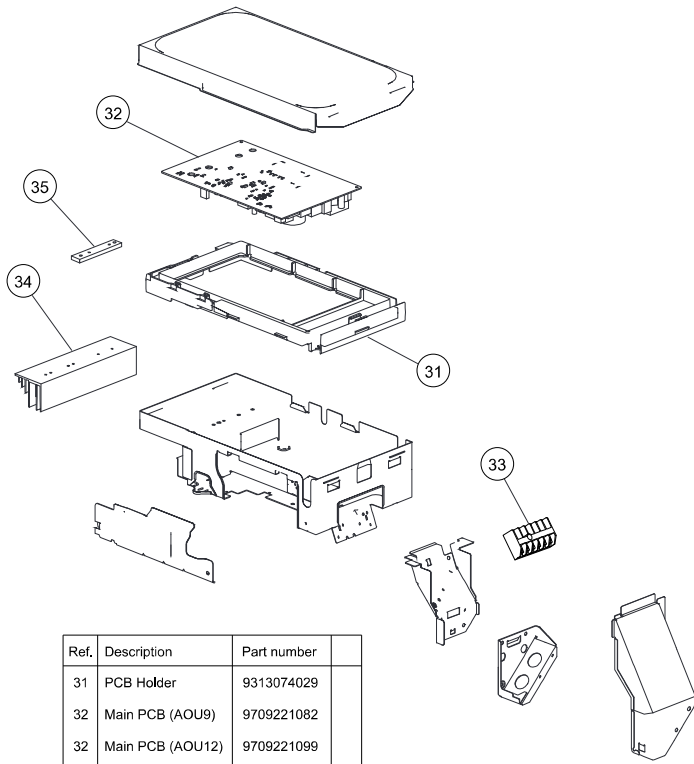
Ref.	Description	Part number
1	Protective Net	9331640008
2	Top Panel Assy	9318464023
3	Front Panel Assy	9318463026
4	Emblem	9317903011
5	Cabinet Left Assy	9318461015
6	Switch Cover	9317692021
7	Cabinet Right Assy	9316044050
8	Reactor Assy	9900611019
9	Fan Motor	9602724017
10	Propeller Fan	9313808013
11	Base Assy	9316885066
12	Drain Assy	9303029022



OUTDOOR UNIT

Ref.	Description	Part number
21	Condenser Total Assy	9317089135
22	Compressor Assy	9317117005
23	2-way Valve Assy	9332371000
24	3-way Valve Sub Assy	9317109000
25	4-way Valve Assy	9317110020
26	Solenoid	9970110047
27	Pulse Motor Valve Assy	9332368000
28	Expansion Valve Coil	9970095030

OUTDOOR UNIT



Ref.	Description	Part number
31	PCB Holder	9313074029
32	Main PCB (AOU9)	9709221082
32	Main PCB (AOU12)	9709221099
33	Terminal	9900016081
34	Heatsink A	9314410017
35	Heatsink B	9314090011
-	Outdoor Thermistor	9900544010
-	Thermistor Assy	9900614027