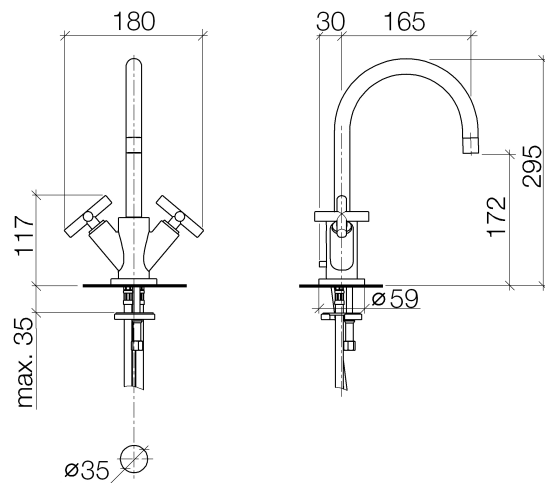




Product specifications

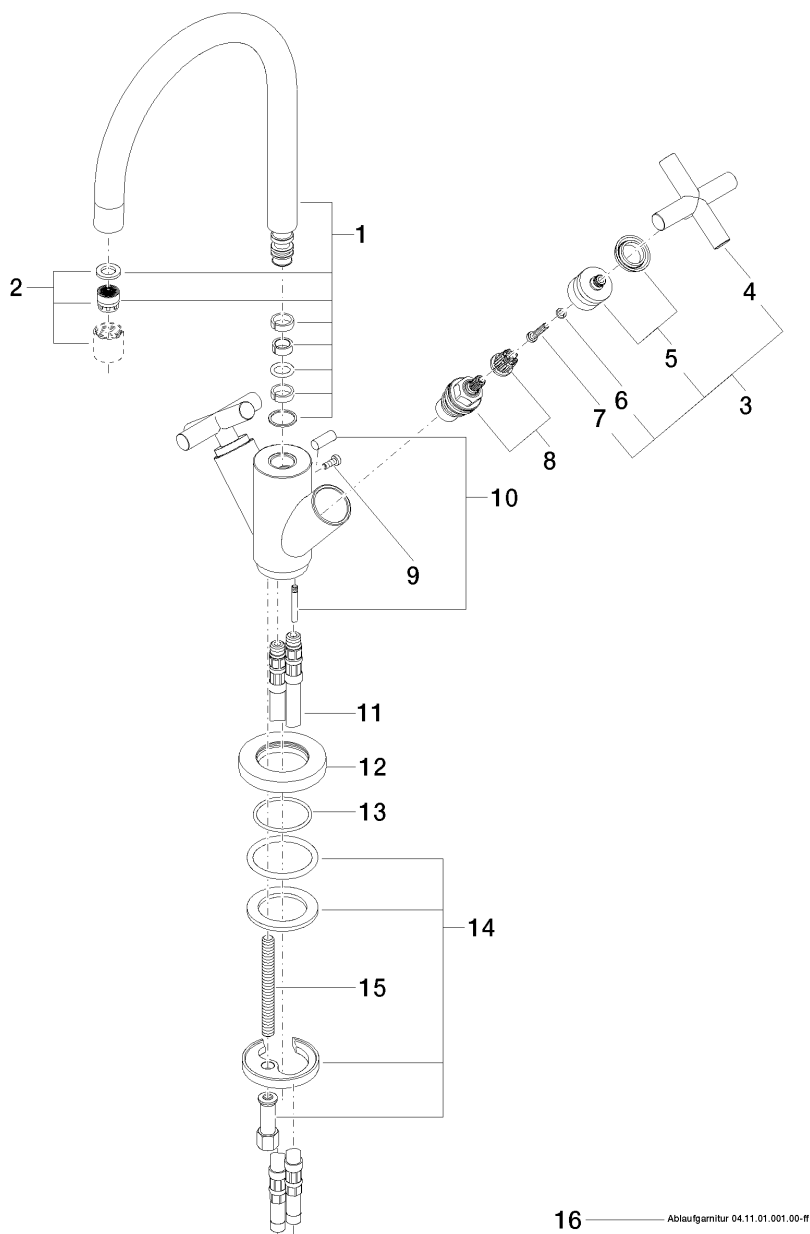
- **6 1/2" projection**
- Swivel spout 360°
- M 18 x 1 aerator – female thread
- Total height 11 5/8"
- Height to aerator/spout outlet 6 3/4"
- 2x xControl ceramic disc cartridge 1/2"
- 2x M 10 x 1 screw-in high pressure hose
- **US drain with overflow**
- Water flow rate limited to max. 1.5 gpm
- low lead compliant
- Flange diameter 2 3/8"



Surfaces

- | | |
|-----------------|-----------------|
| • chrome | 22513892-000010 |
| • matt platinum | 22513892-060010 |
| • platinum | 22513892-080010 |
| • matt white | 22513892-100010 |
| • matt black | 22513892-330010 |

Exploded assembly drawing



**Order quantity**

No.	Article number	Name	Installation quantity
1	90282221301ff	spout	1
2	90230102803ff	aerator	1
3	04208901000ff	handle	2
4	092089010ff	handle	2
5	90121200700ff	base	2
6	09301102990	disc	2
7	09303007590	screw	2
8	9090031510090	top	2
9	09303005490	screw	1
10	04208903580ff	pull-rod	1
11	0430040160090	hose	2
12	092810132ff	ring	1
13	09141013490	seal	1
14	0430110380090	fixing set	1
15	09311101190	pin	1
16	04110100100ff	pop-up waste	1

