

### Features

- 36-inch minimum base cabinet width.
- Large Single bowl.
- 10-inch depth provides generous workspace.
- No faucet holes.
- SilentShield® sound-absorption technology offers quieter performance.
- Three graduated ledges in basin allow you to place accessories at your preferred height.
- Beveled cone-shape slopes into the drain, easily disposing debris.
- Includes a bamboo cutting board that fits securely on the sink levels providing an easy-to-clean work surface.
- Includes two durable dishwasher-safe grated racks that provide a convenient shelf for drying, rinsing, and defrosting.
- Includes a durable dishwasher safe wash bin and colander for draining pasta, washing dishes, or defrosting meat.
- Includes installation hardware.

### Material

- Handcrafted from 18-gauge stainless steel.

### Installation

- Under-mount

### Components

Product includes:

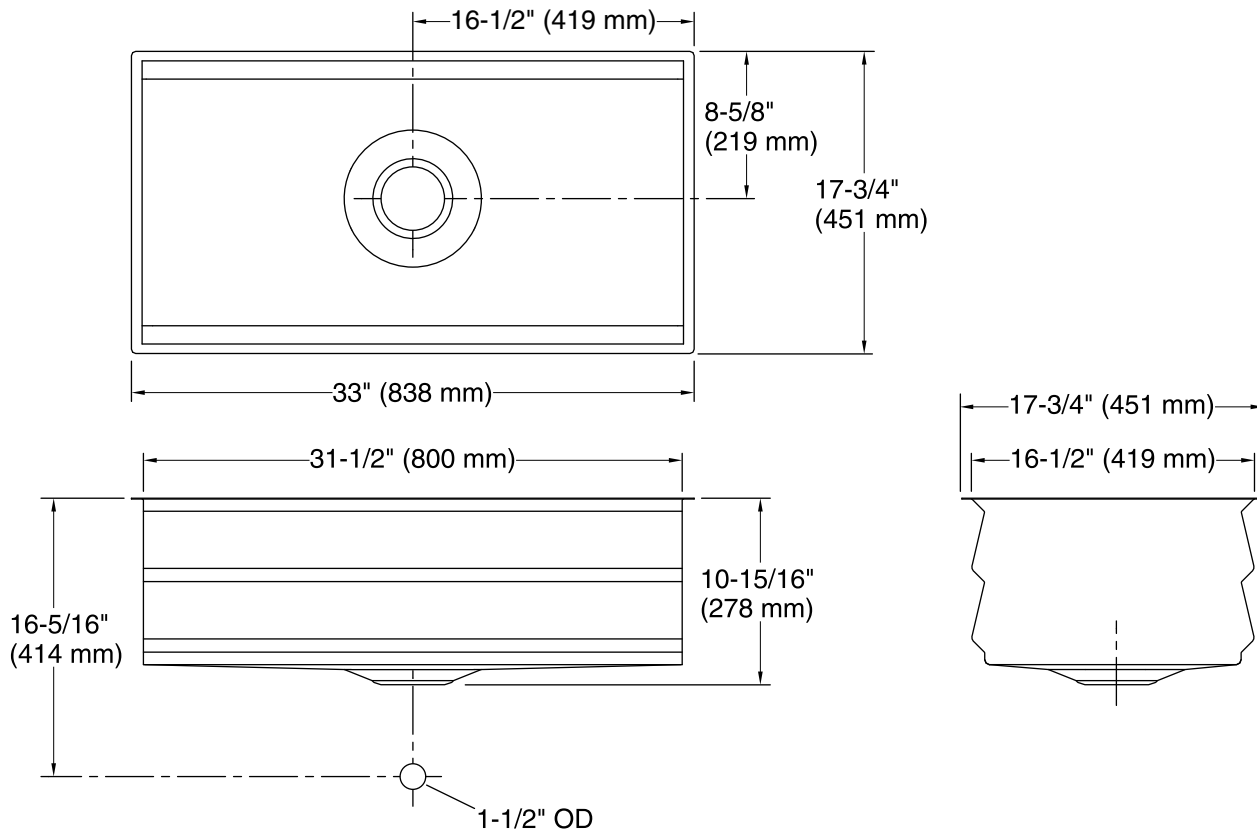
- K-5542 Multipurpose Grated Rack
- K-5542 Multipurpose Grated Rack
- K-5541 Hardwood Cutting Board
- K-5544 Colander and Washbin



### Codes/Standards

ASME A112.19.3/CSA B45.4

See website for detailed warranty information.



### Technical Information

All product dimensions are nominal.

Bowl configuration:	Single
Installation:	Under-mount
Bowl area (Only)	Length: 31-1/2" (800 mm) Width: 16-1/2" (419 mm) Bowl depth: 10" (254 mm) Water depth: 10" (254 mm)
Drain hole:	3-3/4" (94 mm)
Template:	1093327-7, required, included

### Notes

Install this product according to the installation instructions.