

VITODENS 200-W

B2HB Series

Vitodens 200-W	B2HB 45 B2HB051	B2HB 57 B2HB052	
-----------------------	--------------------	--------------------	--

General Info	Price List Section:	2.2
	Parts Catalog Section	10
	Start Date	9/2015 -
	End Date	present
	Applies to serials nos. beginning with:	7554703... 7554704...
	As at:	04/08/2016 02

Parts List

Please refer to: Parts List
Pos. Description

Part Numbers / Price Categories

Parts for Main Enclosure Assembly

0001	Cover Panel, boiler	7833 654 ²⁰	7833 654 ²⁰		
0002	Nameplate "Viessmann"	7839 162 ⁹	7839 162 ⁹		
0003	Mounting Clip (Set of 2)	7817 500 ³	7817 500 ³		
0004	Cover Panel, electronics	7839 757 ²⁶	7839 757 ²⁶		
0005	Ctrl Housing	7833 699 ¹⁴	7833 699 ¹⁴		
0006	Mounting Rail, left	7836 183 ¹¹	7836 183 ¹¹		
0007	Mounting Rail, right	7836 184 ¹¹	7836 184 ¹¹		
0008	Cover Panel	7833 473 ¹³	7833 473 ¹³		
0009	Wall-Mount Bracket	7826 547 ⁷	7826 547 ⁷		
0010	Support Bracket, right	7844 902 ¹⁵	7844 902 ¹⁵		
0011	Support Bracket, left	7844 903 ¹⁵	7844 903 ¹⁵		
0012	Leveling Bolt	7835 110 ¹⁰	7835 110 ¹⁰		
0013	Electrical Box	7843 568 ^{Other}	7843 568 ^{Other}		
0014	Electrical Box Cover	7843 569 ^{Other}	7843 569 ^{Other}		

Parts for Pressure Vessel Assembly

0001	Vent Pipe Adaptor 80/125	7844 904 ¹⁵	7844 904 ¹⁵		
0002	Gasket (Flue Gas), D80	7844 905 ⁶	7844 905 ⁶		
0003	Test Port Cap (Set of 2)	7822 742 ⁶	7822 742 ⁶		
0004	Heat Exchanger Assly, ASME	7844 906 ⁷⁸	7844 906 ⁷⁸		
0005	Flue Baffle	7844 907 ²²	7844 907 ²²		
0006	Comb.Chbr.Refr.	7844 908 ¹⁴	7844 908 ¹⁴		
0008	Flue Gas Collector (w gsckt)	7844 910 ¹⁴	7844 910 ¹⁴		
0009	Gasket (Flue Gas Collector)	7844 911 ¹²	7844 911 ¹²		
0010	Sensor #15 (Flue Gas)	7822 767 ⁸	7822 767 ⁸		
0011	Gas Connection Pipe	7844 912 ¹⁴	7844 912 ¹⁴		
0012	Gaskets NG/LP (Set of 5)	7831 673 ⁷	7831 673 ⁷		
0013	Sealing Grommet	7819 745 ⁴	7819 745 ⁴		
0014	P-Trap	7843 045 ¹¹	7843 045 ¹¹		
0015	Grommet (P-Trap)	7843 046 ⁸	7843 046 ⁸		
0016	Condensate Drain Kit	7836 593 ¹⁷	7836 593 ¹⁷		
0017	Pipe Clamp DN25 (Set of 5)	7827 429 ⁶	7827 429 ⁶		
0018	Condensate Flex Hose (exit)	7839 794 ⁷	7839 794 ⁷		
0019	Extension Pipe 1" NPT (gas)	7839 718 ¹³	7839 718 ¹³		
0020	O-Ring (Set of 5, 24X2.5)	7839 650 ⁸	7839 650 ⁸		
0021	Connector D21 G ¾ (NG/LP)	7839 649 ¹³	7839 649 ¹³		continued

VITODENS 200-W

B2HB Series

Vitodens 200-W	B2HB 45 B2HB051	B2HB 57 B2HB052	
-----------------------	--------------------	--------------------	--

General Info	Price List Section:	2.2
	Parts Catalog Section	10
	Start Date	9/2015 -
	End Date	present
	Applies to serials nos. beginning with:	7554703... 7554704...
	As at:	04/08/2016 02

Parts List

Please refer to: Parts List
Pos. Description

Part Numbers / Price Categories

Parts for Burner Assembly

0001	Burner Gasket, 299x5.6mm	7836 178 ¹⁴	7836 178 ¹⁴		
0002	Insulating Ring	7844 913 ¹⁶	7844 913 ¹⁶		
0003	Burner Tube	7856 196 ²¹	7856 196 ²¹		
0004	Gasket (Burner Tube)	7826 524 ⁶	7826 524 ⁶		
0005	Ignition Electr. w Gskt	7829 798 ¹⁰	7829 798 ¹⁰		
0006	Ionization Electr. w Gskt	7836 489 ¹³	7836 489 ¹³		
0007	Flapper	7835 111 ¹⁰	7835 111 ¹⁰		
0008	Radial Fan RG148 120/1/60	7842 420 ³⁹	7842 420 ³⁹		
0009	Gas Valve CES10 (w Gskt)	7839 704 ²¹	7839 704 ²¹		
0010	Burner Mounting Flange Assly	7844 914 ²⁹	7844 914 ²⁹		
0011	Ignition Module	7839 612 ¹³	7839 612 ¹³		
0012	Gasket (Ioniz. Electrode)	7827 031 ⁶	7827 031 ⁶		
0013	Gasket (Ignition Electrode)	7827 025 ⁶	7827 025 ⁶		
0014	Ground Terminal (Set of 10)	7819 839 ⁶	7819 839 ⁶		
0015	Orifice	7833 980 ⁶	7833 980 ⁶		
0016	Bracket (Set of 3)	7839 706 ⁹	7839 706 ⁹		
0017	Mounting Plate (Ign.Module)	7839 600 ⁸	7839 600 ⁸		
0018	Turbulator Disc	7836 209 ¹²	7836 209 ¹²		
0019	Venturi Ext. w Gskt	7827 962 ⁹	7827 962 ⁹		
0020	Sight Glass	7843 269 ¹⁶	7843 269 ¹⁶		
0021	Access. Pack (Brnr Scr,Set 6)	7844 909 ⁸	7844 909 ⁸		

Parts for Hydronic Assembly

0001	O-Ring (Set of 3, ht.exch)	7835 467 ⁵	7835 467 ⁵		
0002	Conn. Pipe 1 (htg rtn)	7844 915 ¹⁴	7844 915 ¹⁴		
0003	Air Vent, G3/8"	7819 971 ⁷	7819 971 ⁷		
0004	Air Bleed Header	7831 455 ²⁰	7831 455 ²⁰		
0005	Gasket 1 ¼ (Set of 5)	7835 225 ⁶	7835 225 ⁶		
0006	Conn. Pipe 2 (htg rtn)	7844 916 ¹⁴	7844 916 ¹⁴		
0007	O-Ring (Set of 5, supp/ret)	7839 721 ⁸	7839 721 ⁸		
0008	Extension Pipe (supp/ret)	7839 722 ¹⁵	7839 722 ¹⁵		
0009	Connector D32 (htg.supp)	7839 748 ¹³	7839 748 ¹³		
0010	Press. Gage (PSI) w clip/gskt	7839 723 ¹¹	7839 723 ¹¹		
0011	O-Ring (Set of 5, 8x2)	7831 409 ⁸	7831 409 ⁸		
0012	Clip D=8 (Set of 5)	7827 943 ⁶	7827 943 ⁶		
0013	Sealing Grommet (each)	7839 724 ⁷	7839 724 ⁷		
0014	Conn. Pipe (htg supp)	7844 917 ¹⁵	7844 917 ¹⁵		
0015	Flow Switch VK332M	7826 542 ¹²	7826 542 ¹²		
0016	Sensor #3 (Boiler, Set of 2)	7835 112 ¹³	7835 112 ¹³		continued

VITODENS 200-W

B2HB Series

Vitodens 200-W	B2HB 45 B2HB051	B2HB 57 B2HB052	
-----------------------	--------------------	--------------------	--

General Info	Price List Section:	2.2
	Parts Catalog Section	10
	Start Date	9/2015 -
	End Date	present
	Applies to serials nos. beginning with:	7554703... 7554704...
	As at:	04/08/2016 02

Parts List

Please refer to: Parts List
Pos. Description

Part Numbers / Price Categories

Parts for Control Assembly

0001	Control Console	7849 643 ⁴⁸	7849 643 ⁴⁸		
0002	Ctrl Housing, Rear	7841 005 ¹⁸	7841 005 ¹⁸		
0003	Coding Plug	7861 055 ⁸	7861 056 ⁸		
0004	Fuse, T6.3A/250V (Set of 10)	7404 365 ⁶	7404 365 ⁶		
0005	Fuse Holder	7823 502 ⁴	7823 502 ⁴		
0007	Vitotronic 200 HO1B	7841 544 ²⁵	7841 544 ²⁵		
0008	Communication Module (LON)	7179 113 ³³	7179 113 ³³		
0009	Circuit Board (LON Module Adaptor)	7823 033 ¹⁰	7823 033 ¹⁰		
0010	Cable Harness X8/X9/Ioniz.	7844 963 ¹²	7844 963 ¹²		
0011	Cable Harness 100/35/54/PE	7839 495 ¹²	7839 495 ¹²		
0013	Counter Plug Neptune	7837 898 ¹²	7837 898 ¹²		
0014	Strain Relief (Set of 10)	7823 516 ⁶	7823 516 ⁶		
0015	Locking Assly (left/right)	7831 618 ¹³	7831 618 ¹³		
0016	Sensor #1 (outdoor, NTC)	7837 053 ²¹	7837 053 ²¹		
0017	Circuit Board (exp. functions)	7509 610 ¹⁶	7509 610 ¹⁶		
0020	Power/Pump Ctrl Module	7839 389 ³²	7839 389 ³²		
0021	Replacement Extension Module EA1	7509 475 ²⁴	7509 475 ²⁴		
0022	Fuse, 2.0A/250V (Pkg of 10)	7404 363 ⁶	7404 363 ⁶		
0023	Harness Set, PPC Module	7839 397 ¹⁷	7839 397 ¹⁷		continued

VITODENS 200-W

B2HB Series

Vitodens 200-W	B2HB 45 B2HB051	B2HB 57 B2HB052	
-----------------------	--------------------	--------------------	--

General Info	Price List Section:	2.2
	Parts Catalog Section	10
	Start Date	9/2015 -
	End Date	present
	Applies to serials nos. beginning with:	7554703... 7554704...
	As at:	04/08/2016 02

Parts List

Please refer to: Parts List
Pos. Description

Part Numbers / Price Categories

Parts for Installation Set

Pos.	Description	Part Numbers / Price Categories
0100	Installation Set, B2HA 45-100	7529 679 ^{Other} 7529 679 ^{Other}
0101	Nipple, 3/4" x 1 1/2"	9543 294 ⁴ 9543 294 ⁴
0102	Sediment Faucet, 3/4"	9653 664 ⁵ 9653 664 ⁵
0103	Tee, 3/4"	9544 337 ⁴ 9544 337 ⁴
0104	Nipple, 3/4" x 3 1/2"	9543 293 ⁴ 9543 293 ⁴
0105	Red.Tee, 1 1/2" x 1 1/2" x 3/4"	9549 661 ⁸ 9549 661 ⁸
0106	Gas Ball Valve	7424 391 ⁷ 7424 391 ⁷
0109	Access. Pack (Mtl.Stud Mt.Kit)	7134 206 ⁵ 7134 206 ⁵
0110	Access. Pack (Venting Fasteners)	7455 794 ⁸ 7455 794 ⁸
0111	Sensor #1 (outdoor, NTC)	7508 904 ¹¹ 7508 904 ¹¹
0112	Pr.Rel Valve (Conbr.) 3/4" (FF) 30PSI	9542 940 ⁸ 9542 940 ⁸
0113	Pr.Rel Valve (Conbr.) 3/4" x 3/4" 45PSI	9549 944 ¹¹ 9549 944 ¹¹
0114	Pr.Rel Valve (Conbr.) 3/4" x 3/4" 60PSI	9560 183 ¹¹ 9560 183 ¹¹
0116	Keychain w Air Bleed Key "Viessmann mth"	9561 042 ^{Other} 9561 042 ^{Other}
0117	Thermometer (Winters) 2" 30-250°F	9653 218 ¹³ 9653 218 ¹³
0119	Sensor #5 (LLH, Immersion NTC)	7179 488 ²⁰ 7179 488 ²⁰
0120	Tech Lit Set B2HB 45/57	7659 530 ^{Other} 7659 530 ^{Other}
0121	Install. Instr. B2HB 45/57	5680 493 ^L 5680 493 ^L
0122	Service Instr. B2HB 45/57	5680 495 ^L 5680 495 ^L
0123	Oper. Instr./User's Info. B2HA/B2TA/HO1B	5683 712 ^L 5683 712 ^L
0124	Parts List B2HB 45/57	5682 546 ^L 5682 546 ^L
0125	Parts List B2HA inst.set	5774 184 ^L 5774 184 ^L
0130	Install. Instr. Vent.Sys (Coax) 2013	5774 552 ^L 5774 552 ^L
0131	Install. Instr. Vent.Sys (Flex) 2013	5774 554 ^L 5774 554 ^L
0140	Warranty Sheet Condensing, Resid v2	5348 723 ^L 5348 723 ^L
0150	Conv. Kit NG > LP	7542 022 ⁴ 7542 022 ⁴
0160	Touch-UP Spray Paint "Vitowhite"	7822 681 ⁹ 7822 681 ⁹
0161	Touch-UP Paint Stick "Vitowhite"	7822 682 ⁵ 7822 682 ⁵
0162	Lubricant 6g	7819 602 ⁵ 7819 602 ⁵

Notes:

"n.a." indicates not applicable.

"W" indicates wearing part (service).

"L" indicates literature (no charge).

"Kit" or "Other" indicates that this is not a Price Category item; contact Inside Sales for pricing.

"D" indicates discontinued.

VITODENS 200-W B2HB Series

Model No.	Serial No.
B2HB 45 Boiler	7554703□□□□□□□□
B2HB 57 Boiler	7554704□□□□□□□□

Ordering Parts:

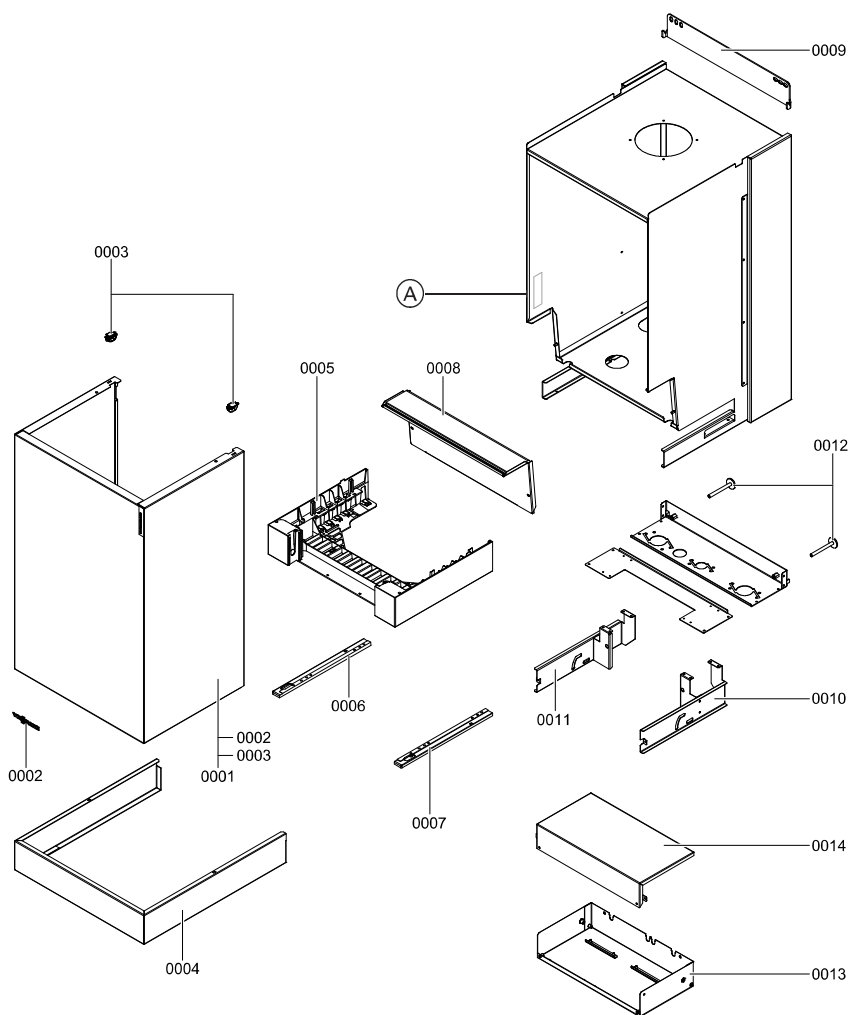
Please provide Model and Serial Number ^(A) when ordering replacement parts. Order replacement components from your Viessmann distributor.

Parts for Main Enclosure Assembly

- 0001 Cover panel, boiler
- 0002 Nameplate "Viessmann"
- 0003 Mounting clip (set of 2)
- 0004 Cover panel, electronics
- 0005 Control housing
- 0006 Mounting rail, left
- 0007 Mounting rail, right
- 0008 Cover panel
- 0009 Wall-mount bracket
- 0010 Support bracket, right
- 0011 Support bracket, left
- 0012 Leveling bolt
- 0013 Electrical box
- 0014 Electrical box cover

Other Parts (not illustrated)

- 0100 Installation Set ^{*1}
- 0120 Technical Literature Set
- 0121 Installation Instructions, Vitodens 200-W
- 0122 Service Instructions, Vitodens 200-W
- 0123 Operating Instructions, Vitodens 200-W
- 0124 Installation Instructions, Coaxial Venting System
- 0125 Installation Instructions, Flexible Venting System
- 0126 Parts List, Vitodens 200-W
- 0127 Parts List, Installation Set
- 0128 Warranty Sheet
- 0150 Conversion kit NG > LP
- 0151 Touch-up spray paint "Vitowhite"
- 0152 Touch-up paint stick "Vitowhite"
- 0153 Lubricant 6g



6/2015

5682 546 01

^{*1} For Installation Set please see separate Parts List.

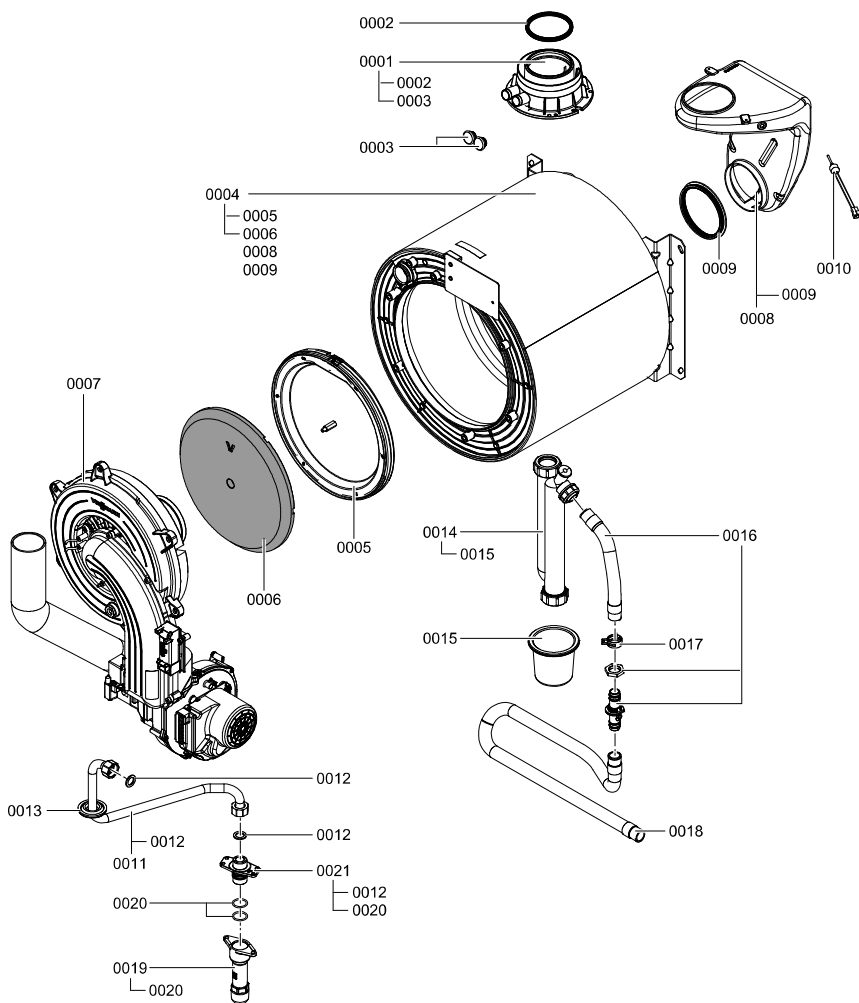
VITODENS 200-W

B2HB Series

Model No.	Serial No.
B2HB 45 Boiler	7554703□□□□□□□□
B2HB 57 Boiler	7554704□□□□□□□□

Parts for Pressure Vessel Assembly

- 0001 Vent pipe adaptor, 80/125
- 0002 Gasket for flue gas, D80
- 0003 Test port cap (set of 2)
- 0004 Heat exchanger assembly
- 0005 Flue baffle
- 0006 Combustion chamber refractory
- 0008 Flue gas collector, with gasket
- 0009 Gasket for flue gas collector
- 0010 Flue gas temperature sensor
- 0011 Gas connection pipe
- 0012 Gaskets, NG/LP (set of 5)
- 0013 Sealing grommet
- 0014 P-trap
- 0015 Grommet for p-trap
- 0016 Condensate drain kit
- 0017 Pipe clamp, DN25 (set of 5)
- 0018 Condensate flex hose (exit)
- 0019 Extension pipe, 1" NPT (gas)
- 0020 O-ring, 24 x 2.5 mm (set of 5)
- 0021 Connector, D21 G $\frac{3}{4}$ ", NG/LP



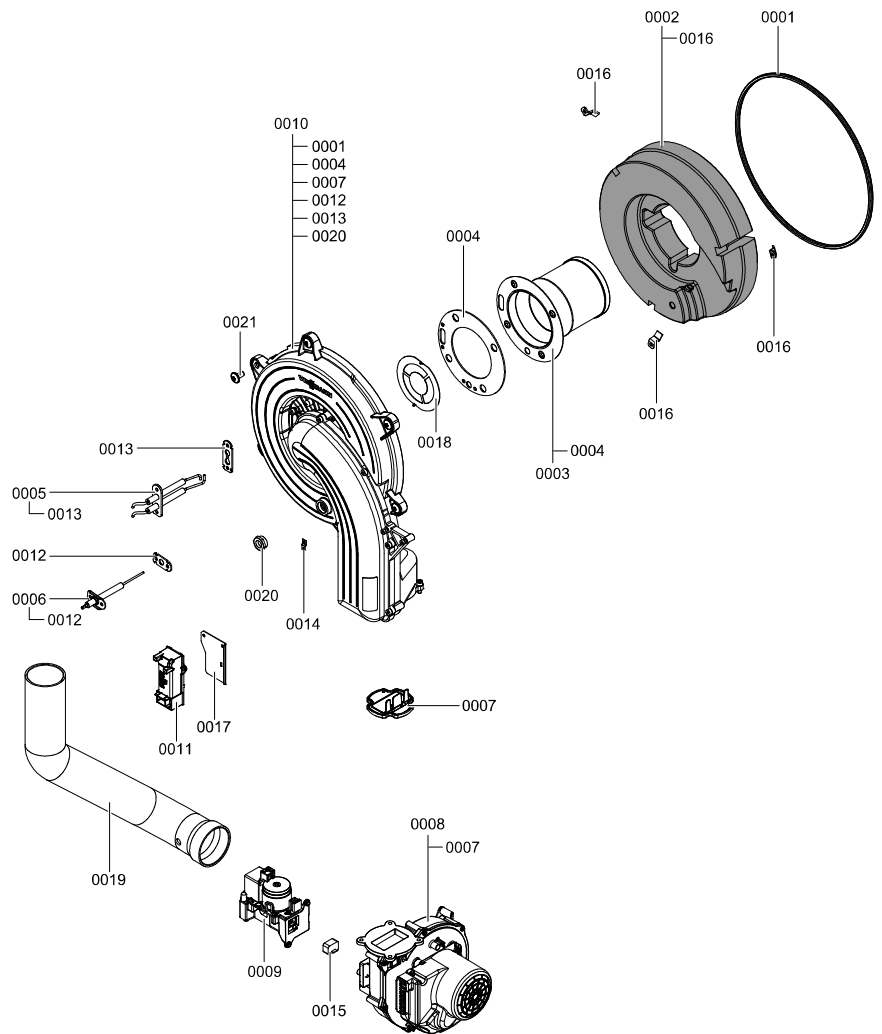
VITODENS 200-W

B2HB Series

Model No.	Serial No.
B2HB 45 Boiler	7554703□□□□□□□□
B2HB 57 Boiler	7554704□□□□□□□□

Parts for Burner Assembly

- 0001 Burner gasket, 299 x 5.6 mm
- 0002 Insulating ring
- 0003 Burner tube
- 0004 Gasket for burner tube
- 0005 Ignition electrode with gasket
- 0006 Ionization electrode with gasket
- 0007 Flapper
- 0008 Radial fan RG148, 120/1/60
- 0009 Gas valve CES10, with gasket
- 0010 Burner mounting flange assembly
- 0011 Ignition module
- 0012 Gasket for ionization electrode
- 0013 Gasket for ignition electrode
- 0014 Ground terminal (set of 10)
- 0015 Orifice
- 0016 Bracket (set of 3)
- 0017 Mounting plate for ignition module
- 0018 Turbulator disc
- 0019 Venturi extension with gasket
- 0020 Sight glass
- 0021 Accessory pack
of burner screws (set of 6)



VITODENS 200-W

B2HB Series

Model No.	Serial No.
B2HB 45 Boiler	7554703□□□□□□□□
B2HB 57 Boiler	7554704□□□□□□□□

Parts for Hydronic Assembly

- 0001 O-ring for heat exchanger (set of 3)
- 0002 Connection pipe 1 for heating return
- 0003 Air vent, G3/8"
- 0004 Air bleed header
- 0005 Gasket, 1 1/4" (set of 5)
- 0006 Connection pipe 2 for heating return
- 0007 O-ring for supply/return (set of 5)
- 0008 Extension pipe for supply/return
- 0009 Connector, D32 for heating supply
- 0010 Pressure gage (psi) with clip and gasket
- 0011 O-ring, 8 x 2 mm (set of 5)
- 0012 Clip, d=8 (set of 5)
- 0013 Sealing grommet (each)
- 0014 Connection pipe for heating supply
- 0015 Flow switch, VK332M
- 0016 Boiler temperature sensor (set of 2)

