

Features

- Includes faceplate with handle.
- A single handle controls both on/off activation and temperature setting.
- Integrated push-button diverter.
- Complements Composed faucets and accessories.
- Push-button diverter.
- Rite-Temp® pressure-balancing technology maintains water temperature within +/- 3°F.

Material

- Premium material construction with metal handle ensures reliability and durability.
- KOHLER finishes resist corrosion and tarnishing.
- Includes faceplate with single lever handle that controls both on/off activation and temperature setting.
- Valve features an adjustable high-temperature limit stop to control maximum temperature to eliminate scalding.
- Coordinates with faucets and accessories in the Composed collection.

Installation

- Trim only; requires valve to complete installation (sold separately).
- Trim only; requires K-11748-K or K-11748-KS Rite-Temp pressure-balancing valve (sold separately).

Required Products/Accessories

K-11748 Series Rite-Temp® Valves

Recommended Products/Accessories

K-23723 Faucet cleaner

Optional Products/Accessories

1156950 Rite-Temp® Roughing-in Kit



ADA

Codes/Standards

ASME A112.18.1/CSA B125.1

ADA





ICC/ANSI A117.1

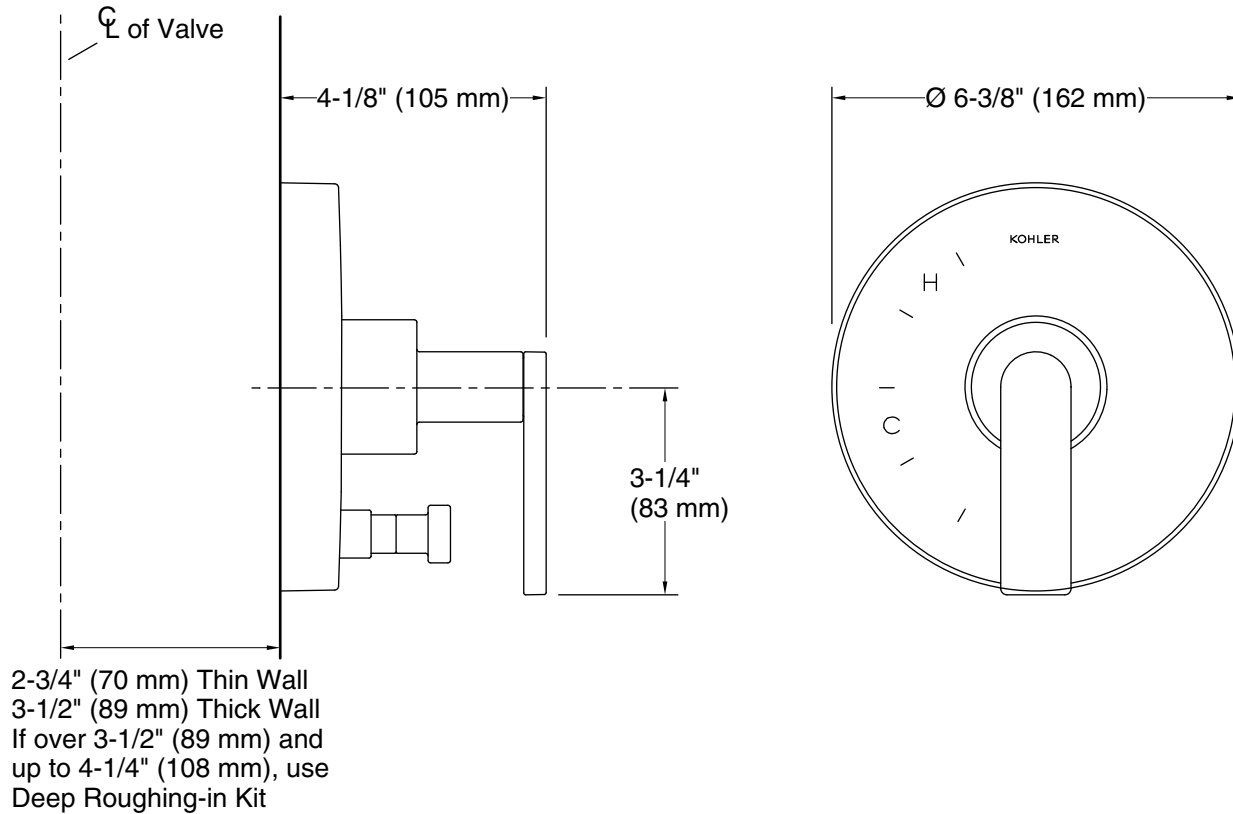
KOHLER® Faucet Lifetime Limited Warranty

See website for detailed warranty information.

Available Colors/Finishes

Color tiles intended for reference only.

| Color | Code | Description |
|-------------------------------------------------------------------------------------|------|--------------------------------|
|  | CP | Polished Chrome |
|  | BL | Matte Black |
|  | 2MB | Vibrant® Brushed Moderne Brass |
|  | TT | Vibrant Titanium |



Technical Information

All product dimensions are nominal.

Notes

Install this product according to the installation guide.

ADA compliant when installed to the specific requirements of these regulations.