

## Features

- Single bowl.
- Squared bowl.
- Includes bottom bowl rack.
- 15" (381 mm) x 15" (381 mm)

## Material

- 16-gauge stainless steel.

## Technology

- Includes SilentShield® sound-absorption system.

## Installation

- Under-mount.
- Includes installation hardware.

## Optional Accessories

K- 8801 Sink Strainer

## Components

Additional included component/s: Hardware kit (2 required),  
Cut-out template, and Bottom bowl rack.



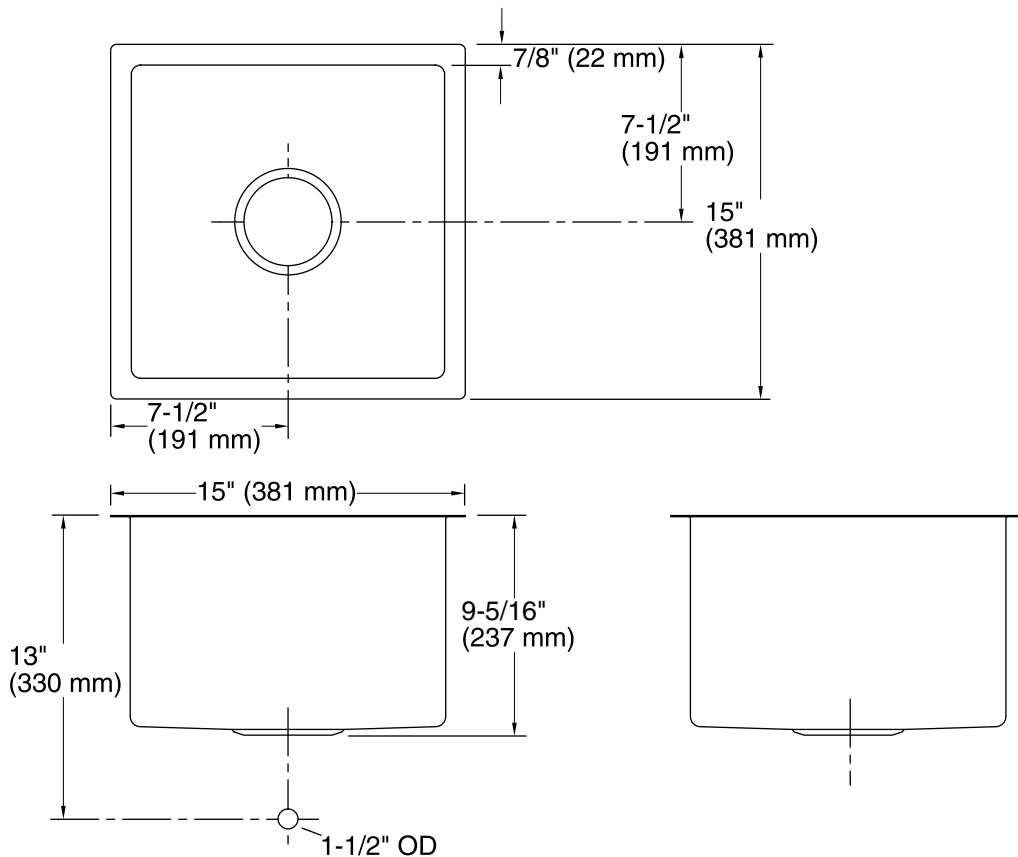
ADA

## Codes/Standards

ASME A112.19.3/CSA B45.4  
ADA  
ICC/ANSI A117.1

## Lifetime Limited Warranty for Kohler Stainless Steel Sinks

See website for detailed warranty information.



## Technical Information

All product dimensions are nominal.

Bowl configuration:	Single
Installation:	Under-mount
Min. base cabinet width:	18" (457 mm)
Bowl area	Length: 13-1/4" (337 mm) Width: 13-1/4" (337 mm) Bowl depth: 9-5/16" (237 mm) Water depth: 9" (229 mm)
Drain hole:	3-11/16" (94 mm)
Template:	Under-mount, 1207219-7, not required, not included

## Notes

Install this product according to the installation guide.

Allow a minimum of 3" (76 mm) clearance around the sink rim for clip attachment.

ADA compliant when installed to the specific requirements of these regulations.