



Features

- 17" soaking depth.
- Center drain.
- Integral lumbar support.
- Wide ledge on one side is ideal for deck-mount faucet and/or handshower.
- Textured bottom surface.

Material

- Acrylic

Installation

- Freestanding
- 72" (1829 mm) x 36" (914 mm) x 25-34/" (654 mm)
- K-37385 drain recommended for non-deck mounted faucets only.

Recommended Accessories

- K-7265 Clearflo Bath Drain
- K-37385 45" Rough-in Cable Bath Drain
- K-T37391 Bath Cable Drain Trim
- K-T37392 Bath Cable Drain Trim
- K-T37393 Bath Cable Drain Trim
- K-T37394 Bath Cable Drain Trim
- K-T37395 Bath Cable Drain Trim
- K-T37396 Bath Cable Drain Trim
- K-T37397 Cable Bath Drain Trim



Codes/Standards

CSA B45.5/IAPMO Z124
Greenguard UL 2818 - Gold



KOHLER® One-Year Limited Warranty

See website for detailed warranty information.

Available Color/Finishes

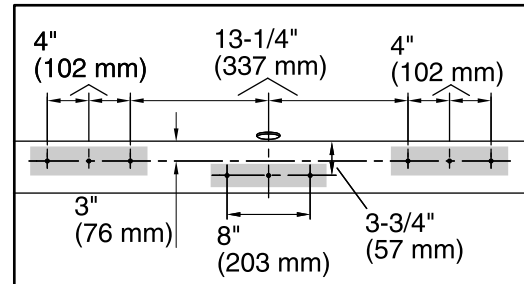
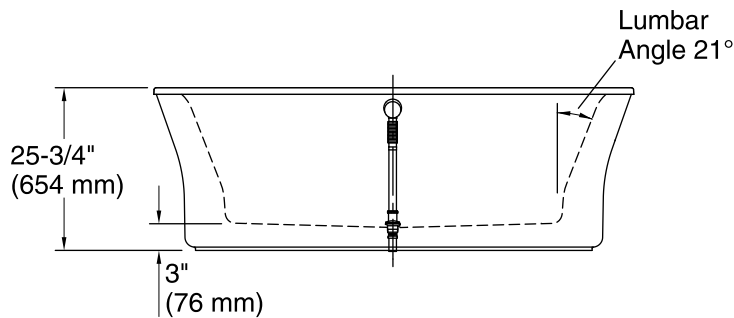
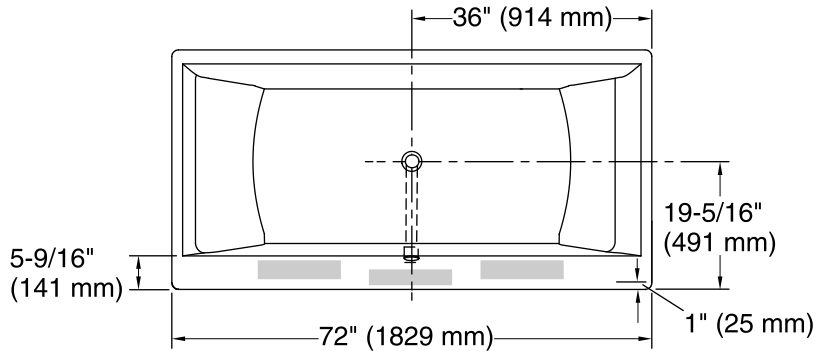
Color tiles intended for reference only.

Color	Code	Description
-------	------	-------------

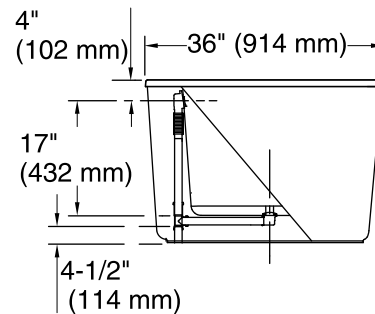
	0	White
	96	Biscuit

No change in measurements if connected with drain illustrated. (K-7265)

Faucet area.



**Faucet Hole Locations
(For KOHLER® Brand Only)**



Technical Information

All product dimensions are nominal.

Installation:	Freestanding
Drain location:	Center
Basin area, bottom:	50" x 24-1/2" (1270 mm x 622 mm)
Basin area, top:	61" x 27-1/2" (1549 mm x 699 mm)
Weight:	152 lbs (68.9 kg)
Minimum floor load:	48.8 lbs/ft ² (238.3 kg/m ²)
Water depth:	17" (432 mm)
Water capacity:	90 gal (340.7 L)
Template:	Footprint, 1245665, not required, not included

Notes

Measure your actual product for rough-in details.

Install this product according to the installation instructions.

The hot water supply should be 70% of the capacity of the bath or greater. Installations will vary.

This bath is designed for freestanding installation only.

Do not support the load weight of the bath by the rim.

If installing a rim-mount faucet, make sure there is no interference with drain overflow before drilling any holes. Consult local and national codes for minimum air gap requirements if installing a spout on the faucet deck.