

Features

- 59-1/2"L x 32"W x 16-1/4"H
- Standard 5' x 32" size for alcove installation
- Integral apron for quick installation
- Integral lumbar support
- Safeguard® slip-resistant surface provides excellent traction underfoot

Material

- KOHLER® enameled cast iron

Installation

- Alcove
- Integral flange
- Right drain

Required Products/Accessories

K-T37391 Rotary-turn bath drain trim
K-T37392 Rotary-turn bath drain trim

or

K-37383 Rough-in cable bath drain, PVC, 30" cable with tubing
K-78438 30" cable bath drain

Recommended Products/Accessories

K-1491 Bath/Whirlpool Pillow
K-1601 Bath/whirlpool footstop, removable
K-7213 27" Cable Bath Drain
K-7214 27" Cable Bath Drain
K-7259 Brass toe tap bath drain
K-706000-D3 Frameless Sliding Bath Door
K-706000-L 62" H sliding bath door with 1/4"-thick glass
K-706004-D3 Frameless Sliding Bath Door
K-706004-L Frameless Sliding Bath Door
K-23726 Drain treatment
K-23725 Cast iron cleaner
K-31796 Above-the-floor bath drain kit
K-31798 Bath drain kit



ADA

Codes/Standards

ASME A112.19.1/CSA B45.2
ASTM F462
ADA
ICC/ANSI A117.1
IAPMO Certification

KOHLER® Enameled Cast Iron Bath and Shower Base Lifetime Limited Warranty

See website for detailed warranty information.

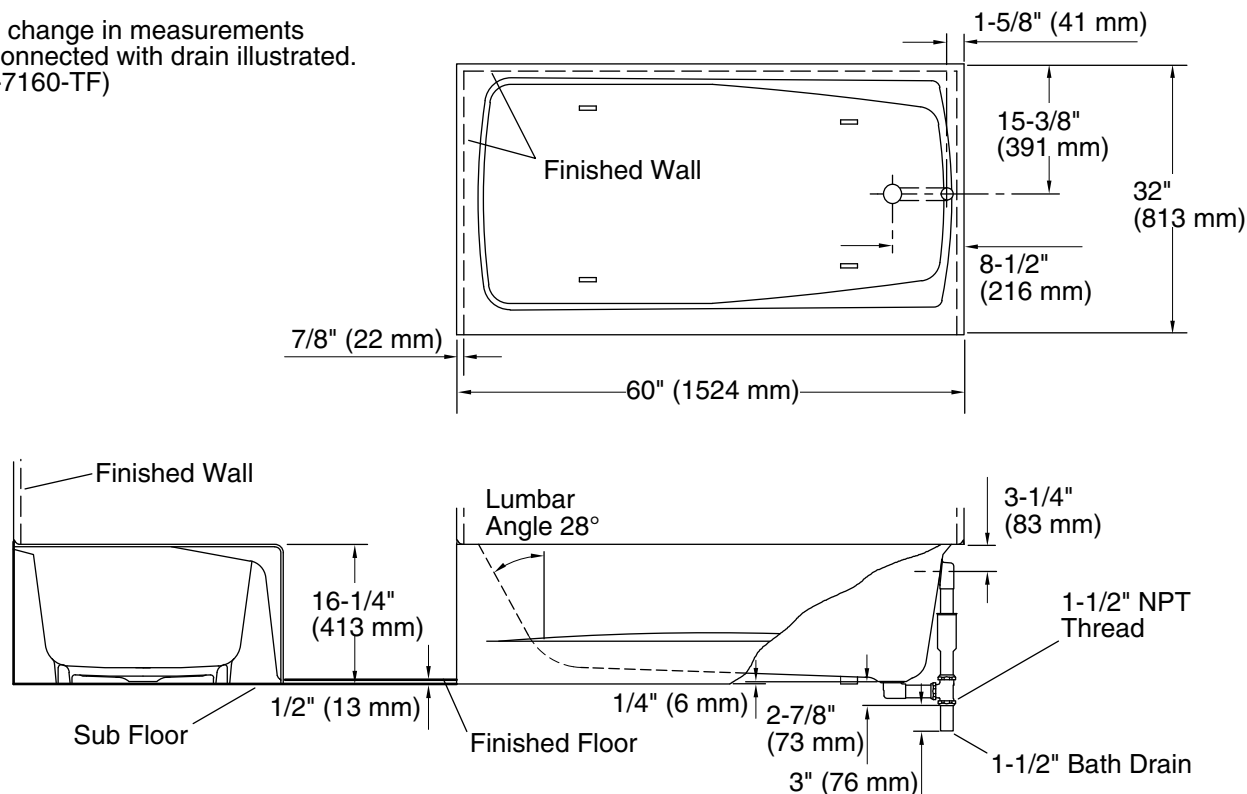
Available Colors/Finishes

Color tiles intended for reference only.

Color	Code	Description
-------	------	-------------

	0	White
---	---	-------

No change in measurements
if connected with drain illustrated.
(K-7160-TF)



Technical Information

All product dimensions are nominal.

Drain location:	Right
Basin area, bottom:	46" x 20" (1168 mm x 508 mm)
Basin area, top:	54" x 24" (1372 mm x 610 mm)
Weight:	351 lbs (159.2 kg)
Minimum floor load:	56 lbs/ft ² (273.4 kg/m ²)
Water depth:	10-7/8" (276 mm)
Water capacity:	45 gal (170.3 L)
Minimum flat for door:	1-7/8" (47 mm)

Notes

Measure your actual product for rough-in details.

Install this product according to the installation instructions.

The hot water supply should be 70% of the capacity of the bath or greater. Installations will vary.

ADA compliant when installed to the specific requirements of these regulations.