

**Features**

- Solid brass construction
- Contemporary styling
- Multi-function engine with 3 spray modes
- Rubber nozzles facilitate easy cleaning
- 1/2" NPSM inlet pivot ball fitting
- 4" (10.2 cm) showerhead diameter
- 1.8 gallons (6.7 liters) per minute maximum flow rate

**Showerhead**

**2155**



**Codes / Standards Compliance**

Meets or exceeds the following at date of manufacture:

- ASME A112.18.1/CSA B125.1
- IAPMO/cUPC
- Energy Policy Act of 1992
- California Energy Commission (CEC)
- EPA Watersense
- All applicable US Federal and State material regulations



**Colors / Finishes**

- 10B: Oil Rubbed Bronze
- 15: Polished Nickel
- 15S: Satin Nickel - PVD
- 26: Polished Chrome
- Other: Refer to the Newport Brass catalog for additional color/finish options.

**Specified Model**

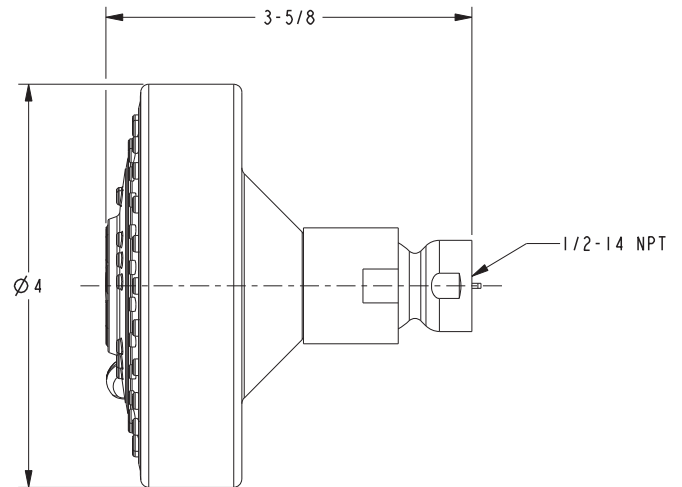
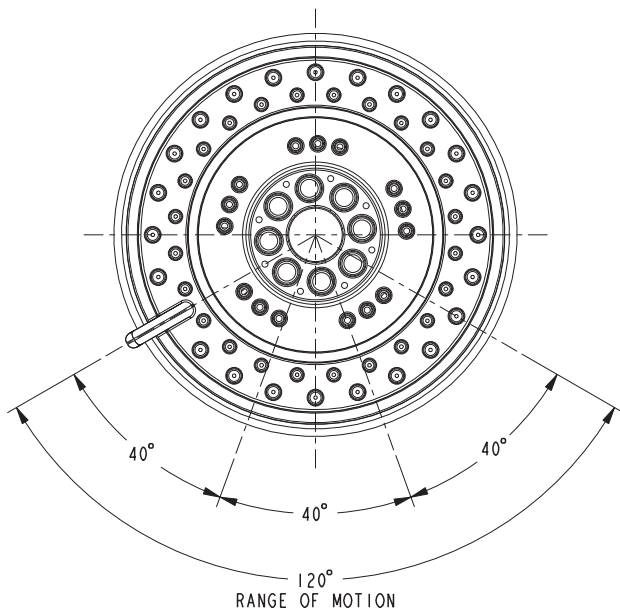
Model	Description	Colors   Finishes
2155	Showerhead	<input type="checkbox"/> 10B <input type="checkbox"/> 15 <input type="checkbox"/> 15S <input type="checkbox"/> 26 <input type="checkbox"/> Other

**Product Specification** Add "Color / Finish" suffix to Model number, below.

The Showerhead shall be of solid brass construction while incorporating a non-metallic showerhead engine. Showerhead shall have a simulated rainfall shower pattern and incorporate rubber nozzles to facilitate easy cleaning. Showerhead shall have a 1/2" NPSM inlet fitting and 4" (10.2 cm) showerhead diameter while operating at 1.8 gallons (6.7 liters) per minute maximum flow rate. Showerhead shall be Newport Brass Model 2155/\_\_\_.

# 2155

## PRODUCT DIMENSIONS *(Units are in inches)*



### Newport Bath Showerhead 2155