

Features

- Brass construction
- 1.5 gpm flow rate
- Red/Blue indexing
- ADA compliant
- One-piece, self-contained ceramic disc valve controls both volume and temperature control
- Temperature memory allows the faucet to be turned on and off at any temperature setting
- Flexible supplies for easy installation

Installed component/s: Flexible supply hoses.



ADA

CSA B651

OBC

Codes/Standards

ASME A112.18.1/CSA B125.1

NSF 61

NSF 372

DOE - Energy Policy Act 1992

EPA WaterSense®

ADA

ICC/ANSI A117.1

CSA B651

OBC

All applicable US Federal and State material regulations

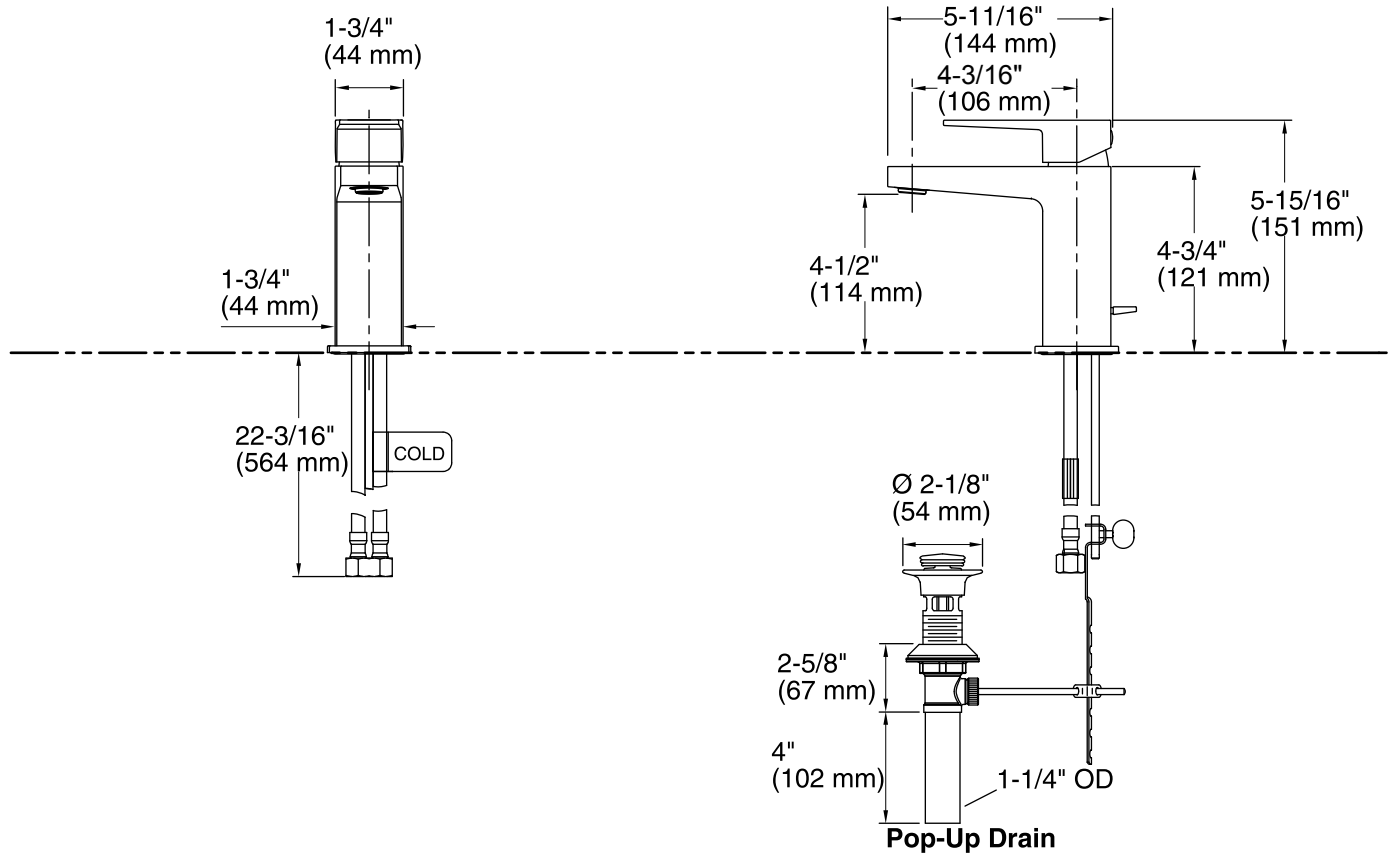
See website for detailed warranty information.

Available Color/Finishes

Color tiles intended for reference only.

Color Code Description

● CP Polished Chrome



Technical Information

All product dimensions are nominal.

Valve body:	Plastic
Spout reach:	4-3/16" (106 mm)
Drain included:	YES
Drain with overflow:	YES
Drain tailpiece included:	YES

Notes

Install this product according to the installation guide.

ADA, OBC, CSA B651 compliant when installed to the specific requirements of these regulations.