

## EG Series 1-5 Section and Base Assembly

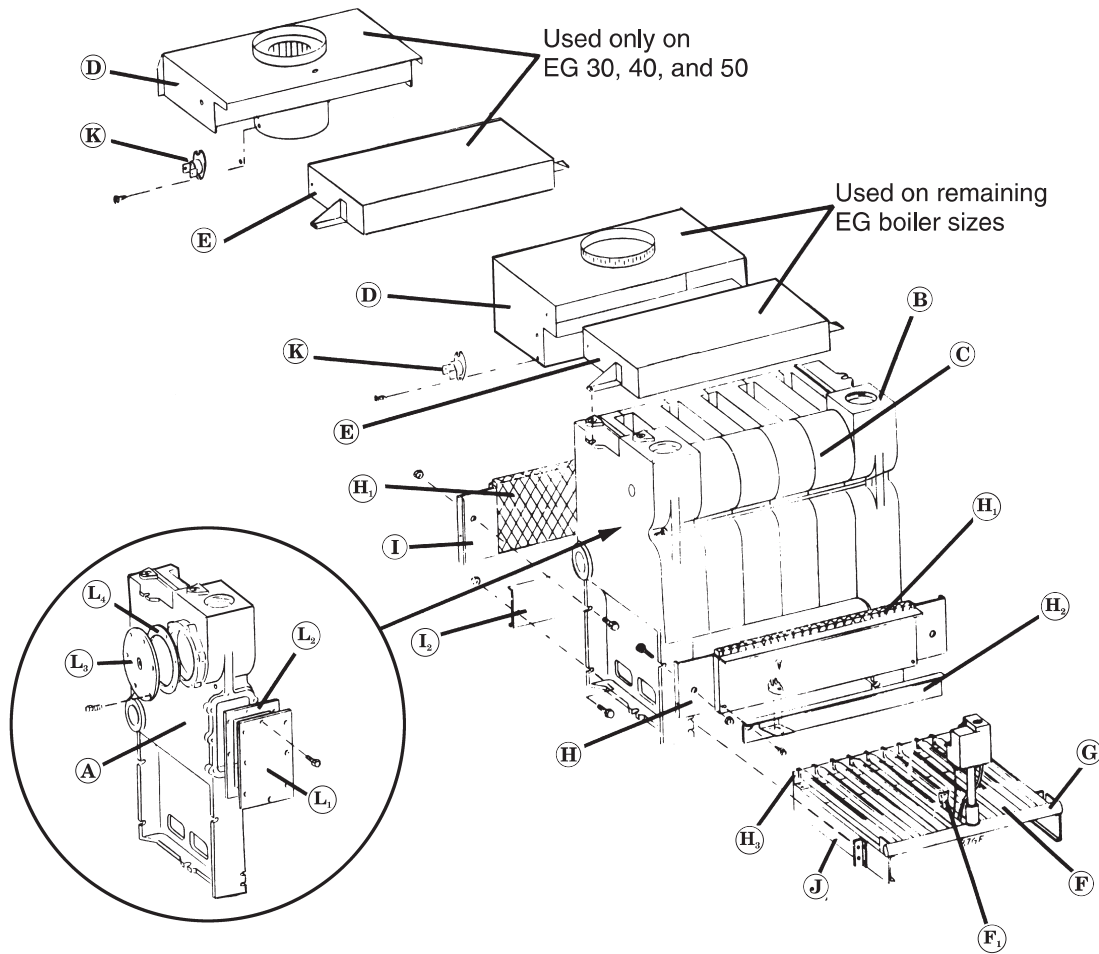


Fig. No.	Part No.	Description	Boiler Series
N/S	321-811-095	Section Assembly, Complete: EG, P-EG 30, 35 Without Heater Opening	1-5
	321-811-100	Section Assembly, Complete: EG, P-EG 35, With Heater Opening (Tankless Heater Not Available On EG-30)	1-5
	321-811-110	Section Assembly, Complete: EG, P-EG 40, 45 With Heater Opening	1-5
	321-811-115	Section Assembly, Complete: EG, P-EG 40, 45 Without Heater Opening	1-5
	321-811-120	Section Assembly, Complete: EG, P-EG 50, 55 With Heater Opening	1-5
	321-811-125	Section Assembly, Complete: EG, P-EG 50, 55 Without Heater Opening	1-5
	321-811-130	Section Assembly, Complete: EG 65 With Heater Opening	1-5
	321-811-135	Section Assembly, Complete: EG 65 Without Heater Opening	1-5
	321-811-140	Section Assembly, Complete: EG 75 With Heater Opening	1-5
	321-811-145	Section Assembly, Complete: EG 75 Without Heater Opening	1-5
A	311-800-014	Left Hand End Section With Heater Opening-( Pattern No.1814 )	1-5
	311-800-007	Left Hand End Section Without Heater Opening-( Pattern No.1813 )	1-5
B	311-800-029	Right Hand End Section Without Heater Opening-( Pattern No.18118 )	1-5
C	311-800-010	Intermediate Section-( Pattern No.1815 )	1-5

## EG Series 1-5 Section and Base Assembly

Fig. No.	Part No.	Description	Boiler Series
N/S	381-800-667	Section Replacement Kit (Includes: (1) 3" and 6" Elastomer Seal, 2 Pieces ¼" Rope Seal, 1-2.8 oz Tube of Silicone) Order 1 Kit Per Joint Between Sections	1-5
	592-800-010	3" Dia. Bottom Elastomer Seal (1 Per Joint)	1-5
	592-800-007	6" Dia. Top Elastomer Seal (1 Per Joint)	1-5
	590-735-122	Sealer For Sections (¼" Rope- 22¾" Length ) 2 Pieces Required.	1-5
	513-000-002	Silicone ( High temperature—2.8oz )--Used To Attach Rope Seal	1-5
	560-234-470	½" x 14" Tie Rod Without Nut (2 Per Boiler): EG, P-EG-30,35	1-5
	560-234-475	½" x 18½" Tie Rod Without Nut (2 Per Boiler): EG, P-EG-40,45	1-5
	560-234-480	½" x 22¾" Tie Rod Without Nut (2 Per Boiler): EG, P-EG-50,55	1-5
	560-234-485	½" x 27" Tie Rod Without Nut (2 Per Boiler): EG-65	1-5
	560-234-490	½" x 31¼" Tie Rod Without Nut (2 Per Boiler): EG-75	1-5
	561-928-221	½" Hex Nut (2 Per Tie Rod)	1-5
	562-248-668	½" Split Lock Washer (1 Per Tie Rod)	1-5
	591-602-913	Retort Cement (1 Quart)	1-5
	591-706-214	Flue brush, 124 DMG 42" Long	1-5
D	450-021-255	Draft Hood: EG, P-EG- 30 ( 9⅝" Left To Right Dimension )	1-5
	450-021-256	Draft Hood: EG, P-EG- 35 ( 9⅝" Left To Right Dimension )	1-5
	450-021-257	Draft Hood: EG, P-EG- 40 ( 13⅞" Left To Right Dimension )	1-5
	450-021-258	Draft Hood: EG, P-EG- 45 ( 13⅞" Left To Right Dimension )	1-5
	450-021-259	Draft Hood: EG, P-EG- 50 ( 18⅞" Left To Right Dimension )	1-5
	450-021-260	Draft Hood: EG, P-EG- 55 ( 18⅞" Left To Right Dimension )	1-5
	450-021-261	Draft Hood: EG-65 ( 22-7/16" Left To Right Dimension )	1-5
	450-021-262	Draft Hood: EG-75 ( 26-11/16" Left To Right Dimension )	1-5
E	450-014-733	Collector Hood: EG, P-EG-30, 35 ( 9½" Left To Right Dimension )	1-5
	450-014-734	Collector Hood: EG, P-EG-40, 45 ( 13¾" Left To Right Dimension )	1-5
	450-014-735	Collector Hood: EG, P-EG-50, 55 ( 18" Left To Right Dimension )	1-5
	450-014-736	Collector Hood: EG-65 ( 22¼" Left To Right Dimension )	1-5
	450-014-737	Collector Hood: EG-75 ( 26½" Left To Right Dimension )	1-5
H	451-800-000	Front Base Panel: EG, P-EG-30, 35	1-5
	451-800-001	Front Base Panel: EG, P-EG-40, 45	1-5
	451-800-002	Front Base Panel: EG, P-EG-50, 55	1-5
	451-800-003	Front Base Panel: EG-65	1-5
	451-800-004	Front Base Panel: EG-75	1-5
I	451-800-010	Back Base Panel: EG, P-EG-30, 35	1-5
	451-800-011	Back Base Panel: EG, P-EG-40, 45	1-5
	451-800-012	Back Base Panel: EG, P-EG-50, 55	1-5
	451-800-013	Back Base Panel: EG-65	1-5
	451-800-014	Back Base Panel: EG-75	1-5

## EG Series 1-5 Section and Base Assembly

Fig. No.	Part No.	Description	Boiler Series
I <sub>2</sub>	451-800-020	Back Base Channel: EG, P-EG 30, 35	1-5
	451-800-021	Back Base Channel: EG, P-EG 40-45	1-5
	451-800-022	Back Base Channel: EG, P-EG 50, 55	1-5
	451-800-023	Back Base Channel: EG, P-EG-65	1-5
	451-800-024	Back Base Channel: EG, P-EG-75	1-5
H <sub>1</sub>	510-811-660	Base Insulation Kit (Includes: Front And Rear Base Panel Insulation, 4oz- Water Glass and Boiler Cement-½ Pint)	1-5
H <sub>2</sub>	451-800-040	Base Front Access Panel With Flame Rollout Switch Bracket: EG, P-EG-30, 35	1-5
	451-800-041	Base Front Access Panel With Flame Rollout Switch Bracket: EG, P-EG-40, 45	1-5
	451-800-039	Base Front Access Panel With Flame Rollout Switch Bracket: EG, P-EG-50	1-5
	451-800-042	Base Front Access Panel With Flame Rollout Switch Bracket: EG, P-EG-55	1-5
	451-800-043	Base Front Access Panel With Flame Rollout Switch Bracket: EG-65	1-5
	451-800-044	Base Front Access Panel With Flame Rollout Switch Bracket: EG-75	1-5
H <sub>3</sub>	451-800-085	Back Burner Support: EG, P-EG-30	1-5
	451-800-086	Back Burner Support: EG, P-EG-35	1-5
	451-800-087	Back Burner Support: EG, P-EG-40	1-5
	451-800-088	Back Burner Support: EG, P-EG-45	1-5
	451-800-089	Back Burner Support: EG, P-EG-50	1-5
	451-800-090	Back Burner Support: EG, P-EG-55	1-5
	451-800-092	Back Burner Support: EG, P-EG-65	1-5
	451-800-094	Back Burner Support: EG, P-EG-75	1-5
L <sub>1</sub>	389-900-103	Cover Plate For Heater Opening (Rectangular) Includes 8 Studs, Nuts and Gasket	1-5
L <sub>2</sub>	590-317-579	Gasket For Cover Plate (Rectangular)	1-5
L <sub>3</sub>	389-900-101	Cover Plate For Heater Opening (Round) Includes 6 Studs, Nuts and Gasket	1-5
L <sub>4</sub>	590-317-495	Gasket For Cover Plate (Round)	1-5
F	512-200-000	Burner, Stainless Tube, Regular (See Note 2)	1-5
F <sub>1</sub>	512-200-001	Burner, Stainless Tube With Pilot Bracket: PI System (All Sizes)	5
	512-200-001	Burner, Stainless Tube With Pilot Bracket: "PI" Systems (All Sizes); "SPL" Systems (All Sizes); "SPN" Systems (EG-75 Only) Stainless (See Note 2)	1-4
	512-200-002	Burner, Steel Tube With Pilot Bracket: "SPN" Systems (EG, P-EG-30-65 Only) Stainless	1-4
N/S	560-528-987	Main Burner Orifice, Natural Gas, 2.45mm (See Note 1)	1-5
	560-528-988	Main Burner Orifice, Propane Gas, 1.55mm	1-5
J	451-800-070	Base Side Rail (2 Required)	1-5
N/S	560-340-577	Tankless Heater Nut and Stud	1-5

## EG Series 1-5 Section and Base Assembly

Fig. No.	Part No.	Description	Boiler Series
G	591-125-533	Manifold, EG, P-EG-30	1-5
	591-125-538	Manifold, EG, P-EG-35	1-5
	591-125-534	Manifold, EG, P-EG-40	1-5
	591-125-539	Manifold, EG, P-EG-45	1-5
	591-125-535	Manifold, EG, P-EG-50	1-5
	591-125-540	Manifold, EG, P-EG-55	1-5
	591-125-541	Manifold, EG-65	1-5
	591-125-542	Manifold, EG-75	1-5
K	510-300-013	Spill Switch With Manual Reset - 210° F, EG 30-65	1-5

*Notes:*

*(1) Order sufficient quantities to replace all orifices within a base.*

*(2) Number of burners:*

*EG-30: 2 main burners and 1 burner with pilot bracket*

*EG-35: 3 main burners and 1 burner with pilot bracket*

*EG-40: 4 main burners and 1 burner with pilot bracket*

*EG-45: 5 main burners and 1 burner with pilot bracket*

*EG-50: 6 main burners and 1 burner with pilot bracket*

*EG-55: 7 main burners and 1 burner with pilot bracket*

*EG-65: 9 main burners and 1 burner with pilot bracket*

*EG-75: 11 main burners and 1 burner with pilot bracket*

## EG Series 5 Control Parts

Fig. No.	Part No.	Description	Mfr	Mfr.'s Part No	EG Series 4 Boiler Size							
					30	35	40	45	50	55	65	75
<b>Common Parts For Water Boiler, Natural Gas</b>												
N/S	381-356-577	Boiler Temperature Sensor, ½" N.P.T	Tasseron	TSD01BW-R	X	X	X	X	X	X	X	X
	381-356-578	Control Transformer, 24 VAC, 40 VA. Foot Mounted	Honeywell	AT140B-1297	X	X	X	X	X	X	X	X
	591-391-975	Wire Harness, Power, J Box To Module	Weil-McLain		X	X	X	X	X	X	X	X
	591-391-976	Circulator Harness	Weil-McLain		X	X	X	X	X	X	X	X
	591-391-994	Thermostat Harness	Weil-McLain		X	X	X	X	X	X	X	X
	591-391-990	Controls To Module Harness	Weil-McLain		X	X	X	X	X	X	X	X
	591-391-981	Temperature Sensor Wire Harness	Weil-McLain		X	X	X	X	X	X	X	X
	381-356-586	Outdoor Temperature Sensor Kit - (Includes Sensor, Wire Harness, And Instructions)			X	X	X	X	X	X	X	X
<b>Spark Ignition Components For Water Boiler-Natural Gas</b>												
N/S	381-330-010	Integrated Control / Ignition Module, Includes Limit Control	United Technology	1135-605	X	X	X	X	X	X	X	X
<b>Spark Ignition Components For Steam Boiler</b>												
N/S	511-330-097	Ignition Control Module Without Molex	United Technology	1003-511	X	X	X	X	X	X	X	X
	540-130-961	Wire Harness, Float LWCO Only	Weil-McLain		X	X	X	X	X	X	X	X
	540-130-962	Wire Harness, Probe LWCO Only	Weil-McLain		X	X	X	X	X	X	X	X
	510-312-166	Combination Transformer-Relay Receptacle, 120/24 VAC, 40 VA	White Rodgers	91-112006-11000	X	X	X	X	X	X	X	X
<b>Common Parts For Both Steam And Water</b>												
N/S	511-044-381	Gas Valve , ½" X ½"	Honeywell	VR8204A	X	X	X	X	X			
			White Rodgers	36E36-266	X	X	X	X	X			
	511-044-382	Gas Valve, ¾" X ¾"	Honeywell	VR8304P						X	X	X
			White Rodgers	36C74-474						X	X	X
	511-330-218	Pilot Assembly Kit-( Orifice, Spark and Sense Wire,and Pilot Tubing.)	PSE	NA16	X	X	X	X	X	X	X	X
	560-742-860	Pilot Tubing With Fittings ⅛" X 22¾"	Weil-McLain		X	X	X	X	X	X	X	X
	510-512-337	Vent Damper Motor W/Molex-Effikal Only	Effikal	RVGP								
	591-391-795	Damper Wiring Harness-Steam Only	Weil-McLain									

GAS

## EG Series 5 Control Parts Cont.

Fig. No.	Part No.	Description	Mfr	Mfr.'s Part No	EG Series 4 Boiler Size							
					30	35	40	45	50	55	65	75
<b>Common Parts For Both Steam And Water</b>												
N/S	381-800-475	Vent Damper Assembly-5" With Harness	Effikal	RVGP-KS-5BKF	X	X						
	381-800-476	Vent Damper Assembly-6" With Harness	Effikal	RVGP-KS-6BKF			X	X				
	381-800-477	Vent Damper Assembly-7" With Harness	Effikal	RVGP-KS-7BKF					X	X		
	381-800-478	Vent Damper Assembly-8" With Harness	Effikal	RVGP-KS-8BKF							X	X
	512-050-230	Rollout Thermal Fuse-228° C	Elmwood Sensors	RD226-001	X	X	X	X	X	X	X	

## EG Series 1-5 Water Trim Parts

Fig. No.	Part No.	Description	Mfr.	Mfr.'s Part No.
<b>Control Parts For All EG Water Boilers With Tankless Heaters</b>				
N/S	510-312-249	Combination High Limit / Low Limit / Circulator Control With Transformer (High Limit: SPST Automatic Recycle, 140-240°F Range, 10°F Subtractive Differential) (Low Limit / Circulator Control: SPDT, Automatic Recycle, 100-200°F Range, 10-35°F Adjustable Differential)	Honeywell	L8124E-1065
	540-130-960	Wire Harness	Weil-McLain	
	592-300-027	Immersion Well, ¾" N.P.T X 6¼" In Length	Hydrolevel	48-202
<b>Tankless Heater Parts For EG Water Boilers</b>				
N/S	590-921-904	Tankless Heater For EG 35-45 Water Boiler (Includes: Heater, Gasket, Nuts and Studs) EG-30 Thru 45		
	590-921-905	Tankless Heater For EG 50-55 Water boiler (Includes: Heater, Gasket, Nuts and Studs) EG-50 & 55		
	590-921-901	Tankless Heater For EG 65-75 Water Boiler (Includes: Heater, Gasket, Nuts and Studs) EG- 65 & 75		
	560-340-577	Stud ¾-16 NC-2A X 1.12" Long With ¾-16 NC Brass Nut (6 Required)		
	590-317-495	Round Tankless Heater Gasket		
<b>Trim Parts For All EG Water Boilers</b>				
N/S	383-600-091	ASME Pressure Relief Valve (set to relieve at 30 PSIG, ¾" N.P.T., female inlet) All Size EG's	Watts	335
			Conbraco	10-408-05
	510-218-097	Combination Pressure-Temperature Gauge (2½" Dial, 0-75 PSIG, Long Shank, ¼" N.P.T. Back Connection) All Size EG's	Ametek	PTA1088 SPEC 19995
			Ametek	PTA1088 SPEC 19981
			ENF-USA	4104-2-½ x ¼ CBM-30
	511-210-423	Drain Valve, ¾" N.P.T., 1½" Shank	Conbraco	31-606-01
510-148-567	Automatic Air Vent, Float Type, ⅛" N.P.T.	Taco	400-3	

## EG Series 1-5 Steam Trim Parts

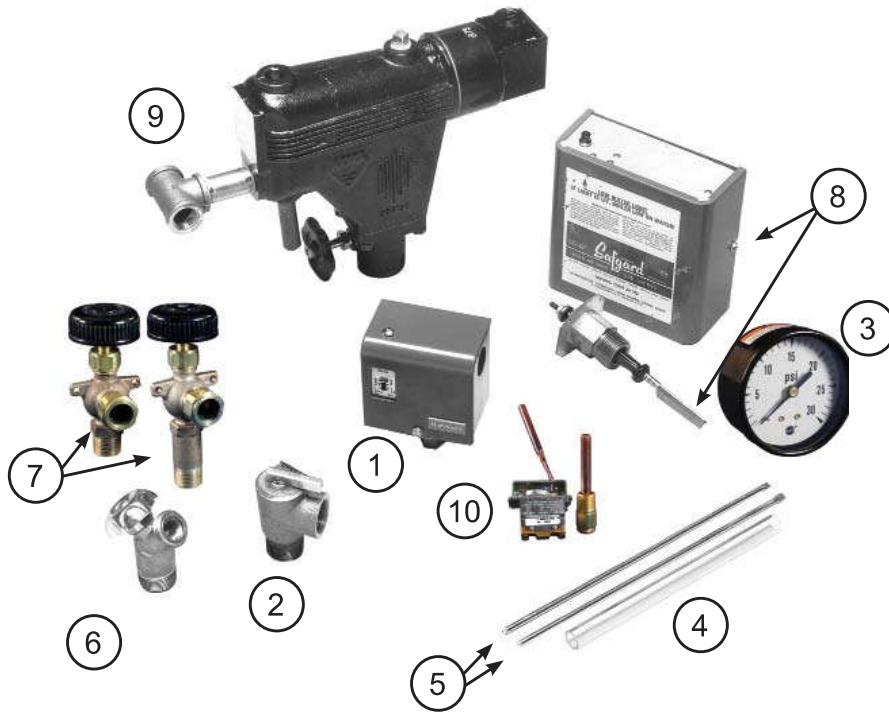


Fig. No.	Part No.	Description	Mfr.	Mfr.'s Part No.
1	510-312-135	High Pressure Limit Control (SPST, Automatic Recycle, 0-15 PSIG Range, 1-5 PSIG Differential, 1/4" N.P.T. Bottom Connection)	Honeywell PA404A1009	
2	383-600-106	ASME Steam Relief Valve (Set To Relieve At 15 PSIG, 3/4" N.P.T. Male Inlet) 375 lbs Per Hour Rating	Conbraco	13-511-08
			Watts	315
3	510-218-045	Steam Pressure Gauge (0-3- PSIG, 2 1/2" Dial, 1/4" N.P.T. Male Inlet)	Ametek	P505K 1437
4	383-600-000	Water Gauge Glass Kit (5/8" X 7 3/8" With Gaskets and Brass Washers)	Weil-McLain	
5	563-334-580	Water Gauge Glass Guard (3/16" X 9 3/8" (Set of 2))	Weil-McLain	
6	511-210-423	Drain Valve, 3/4" N.P.T., 1 1/2" Shank	Conbraco	31-606-01
N/S	590-921-903	Tankless Heater Steam Boiler (Includes: Heater, Gasket, Nuts and Studs) For EG-35 Thru EG-75		
<b>Water Gauge Glass Cocks For Electrode Type Low Water Cut-Off</b>				
7	510-218-145	Water Gauge Glass Cocks, 1/2" N.P.T. Male Inlet (Set of 2)	Conbraco	21-205-03-B55
<b>Water Gauge Glass Cocks For # 67 Float Type Low Water Cut-Off</b>				
7	510-218-135	Water Gauge Glass Cocks, 1/2" N.P.T. Male Inlet (Set of 2)	Conbraco	20-205-03-B15
<b>Electrode Type Low Water Cut-Off Components</b>				
8	510-811-403	Low Water Cut-Off, Electrode Type, SPDT, 24 Volt, 3/4" Male N.P.T, With Instructions, Adapter, and Bushing	Hydrolevel	45-400

## EG Series 1-5 Steam Trim Parts Continued

Fig. No.	Part No.	Description	Mfr.	Mfr.'s Part No.
<b>Float Type Low Water Cut-Off Components For EG Steam Boilers</b>				
9	511-114-494	Float Type Low Water Cut-Off (SPDT, Automatic Recycle, 15 PSIG Rated, 24 or 120 Volt Contact Rating, ½" N.P.T. With Quick Hook-up Fittings) For EG Steam Except Millivolt	McDonnell-Miller	67W-1
<b>Tankless Heater Operating Temperature Control</b>				
10	510-312-250	Operating Temperature Control (SPST, Automatic Recycle, 140-250°F Range, With ¾" N.P.T. Control Well, 10° Fixed Subtractive Differential)	Honeywell	L4080D1250