

Promenade® Close Coupled Toilet, 1.6GPF

FEATURES

- G-Max® flushing system, low consumption (1.6GPF/6.0LPF)
- Universal Height
- Optional CeFiONtect™ ceramic glaze - prevents debris and mold and bacteria from sticking to ceramic surfaces, leading to fewer chemicals and less water in cleaning.
- Decorative two-piece design with high-profile tank
- Chrome trip lever

MODELS

- CST424SFG
With CeFiONtect ceramic glaze
- CST424SF
Less CeFiONtect

COMPONENTS

- C424EFG
Elongated bowl with CeFiONtect
- C424EF
Elongated bowl less CeFiONtect
- ST424S
Tank and cover only
- SS114 SoftClose® seat (sold separately)
- SS304 SoftClose® maple seat (sold separately)
- SS154 seat (sold separately)

COLORS/FINISHES

- Standard
 - #01 Cotton
 - #03 Bone
 - #11 Colonial White
 - #12 Sedona Beige
 - #51 Ebony (not available with CeFiONtect)

PRODUCT SPECIFICATION

The two-piece G-Max flushing system toilet shall be 1.6GPF/6.0LPF. Toilet shall have high-profile tank, elongated front bowl and chrome trip lever. Toilet shall be universal height and ADA compliant when approached from trip lever side. CST424SFG shall have CeFiONtect ceramic glaze. Toilet shall be TOTO Model CST424SF_____.



CODES/STANDARDS

- Meets and exceeds ASME A112.19.2/CSA B45.1,
- Certifications: IAPMO(cUPC), State of Massachusetts, City of Los Angeles, and others
- Code compliance: UPC, IPC, NSPC, NPC Canada, and others
- ADA compliant (when installed with trip lever located on the approach side)



CST424SF(G)

Promenade® Close Coupled Toilet, 1.6GPF

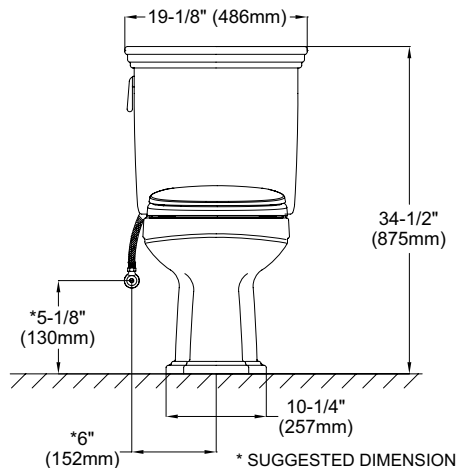
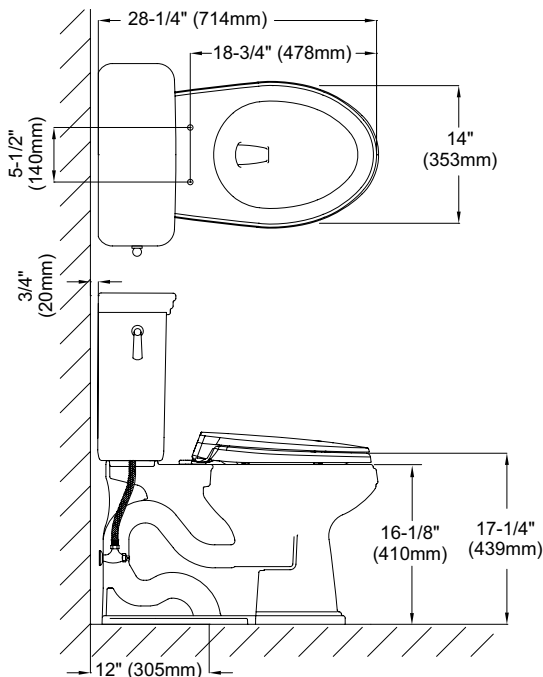
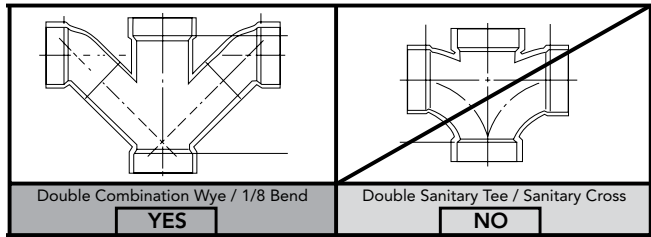
SPECIFICATIONS

- Water Use 1.6 GPF/6.0LPF
- Flush System G-Max
- Min. Water Pressure 8 psi (static)
- Water Surface 8-7/8" x 6-3/8"
- Trap Diameter 2-1/8"
- Rough-in 12"
- Trap Seal 2-1/4"
- Warranty One Year Limited Warranty
- Material Vitreous china
- Shipping Weight C424EF(G) - 54lbs
ST424S - 41.5lbs
- Shipping Dimensions C424EF(G)
28" L x 10" W¹ x 16-1/4" W²
x 17-1/4" H

ST424S
20-1/2" L x 9-1/2" W
x 21-3/4" H

INSTALLATION NOTES

Back-to-Back Toilet Installations:
TOTO recommends the use of a nationally listed, double sanitary tee-wye only, in vertical waste stacks, in accordance with the stipulations noted in the majority of nationally recognized plumbing codes.



TOTO®

These dimensions and specifications are subject to change without notice