



Product specifications

• 6 1/2" projection

- Fixed spout
- Aerator 32 x 8
- Total height 10 7/8"
- Height to aerator/spout outlet 6 3/4"
- Deck valves with 2x xControl ceramic disc cartridges 1/2"

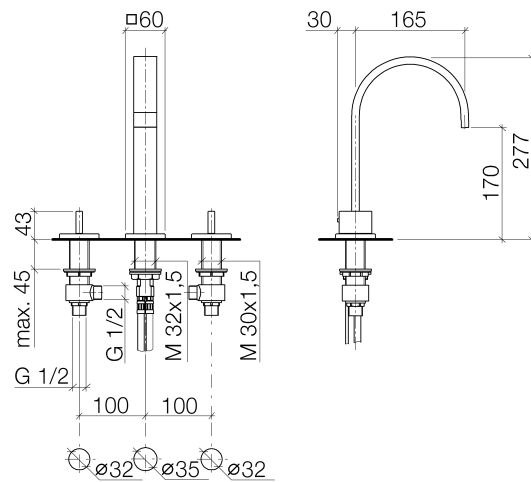
- 2x M 10 x 1 screw-in high pressure hose
- Compression connectors

• US drain with overflow

- low lead compliant
- Water flow rate limited to max. 1.5 gpm
- Individual flanges 2 3/8" x 2 3/8"

For narrow pedestal legs or trap covers, please order pressure hoses 12 507 970 90.

[ADA]

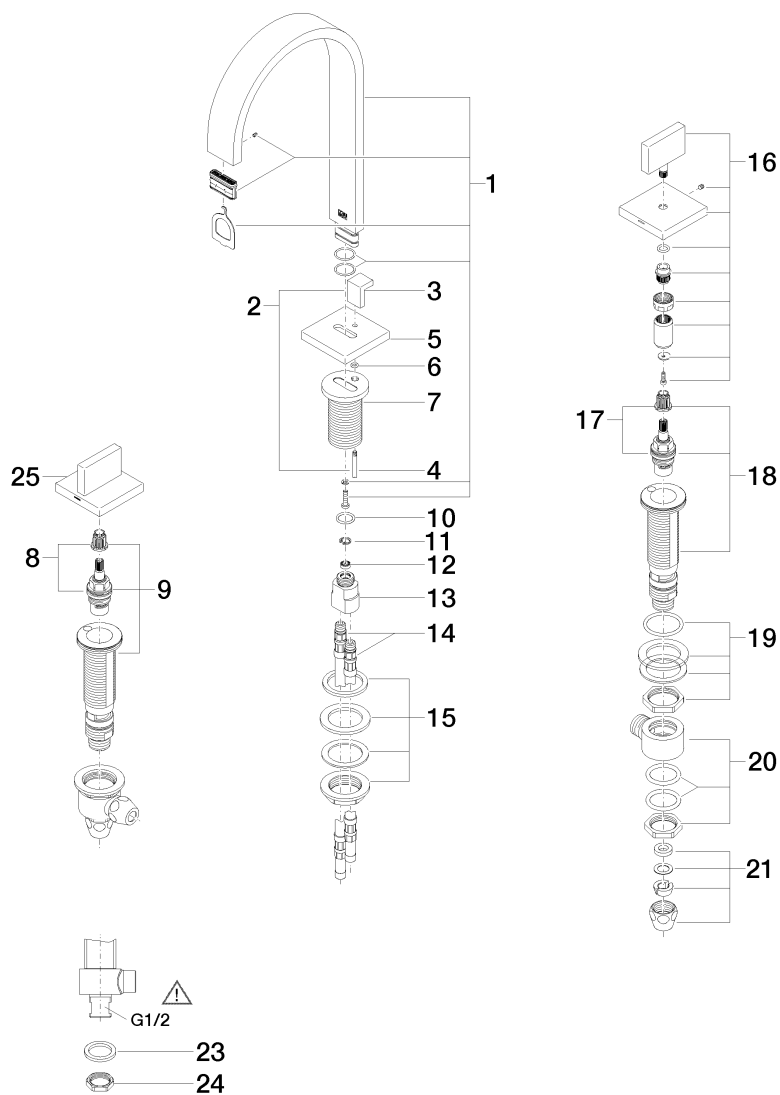




Surfaces

- chrome 20713782-000010
- matt platinum 20713782-060010
- platinum 20713782-080010
- Cyprum 20713782-490010

Exploded assembly drawing



Order quantity

No.	Article number	Name	Installation quantity
1	90282215800ff	spout	1
2	04207803080ff	pull-rod	1
3	092078030ff	handle	1
4	093109080ff	pull-rod	1
5	092778032ff	rosette	1
6	09141016690	seal	1
7	0911100541090	connection	1
8	9090031520090	top	1
9	0417110455290	side panel	1
10	09141013090	seal	1
11	09160101690	ring	1
12	09230105290	flow reducer	1
13	0911100551090	connection	1
14	0430040160090	hose	2
15	0423100090190	fixing set	1
16	90207800204ff	handle (cold)	1
17	9090031530090	top	1
18	0417110455390	side panel	1
19	0423100327890	fixing set	2
20	0417110231090	distributor	2
21	04233004000ff	threaded connector	4
22	04110100100ff	pop-up waste	1
23	09301105990	disc	2
24	09231001290	nut	2
25	90207800205ff	handle (hot)	1

