



# Verticyl® Rectangle

Undermount bathroom sink  
K-8189

## Features

- Geometric rectangular basin with vertical sides.
- Overflow drain.
- No faucet holes; requires wall- or counter-mount faucet.

## Material

- Vitreous china.

## Installation

- Undermount.

## Recommended Products/Accessories

- K-8998 P-Trap
- K-23726 Drain treatment
- K-23725 Cast iron cleaner

## Included Components

- Additional Components:  
1193643



ADA CSA B651 OBC

## Codes/Standards






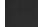
ASME A112.19.2/CSA B45.1  
ADA  
ICC/ANSI A117.1  
CSA B651  
OBC

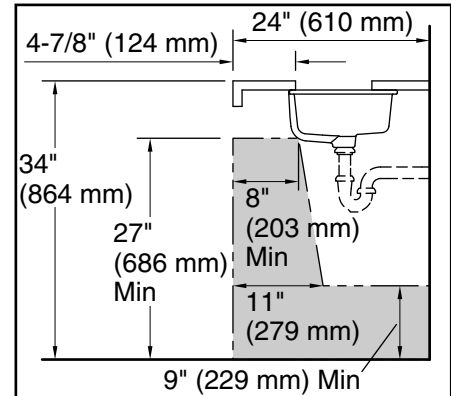
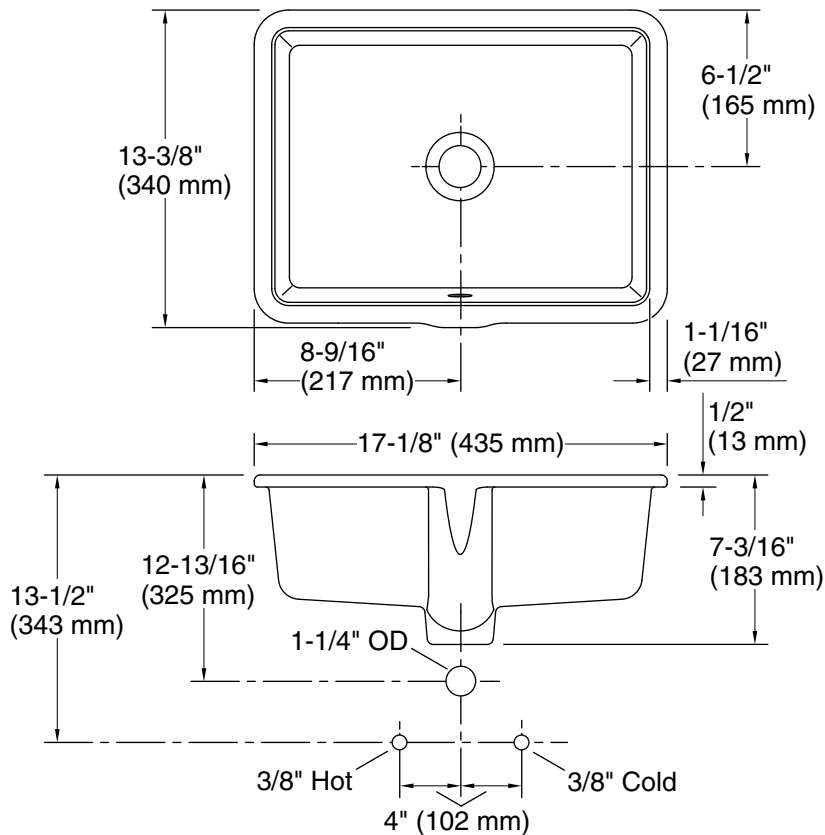
## KOHLER® One-Year Limited Warranty

See website for detailed warranty information.

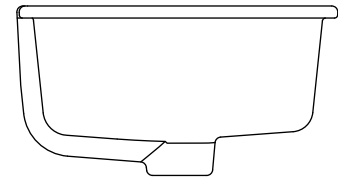
## Available Colors/Finishes

*Color tiles intended for reference only.*

| Color   | Code | Description   |
|---|------|---------------|
|  | 0    | White         |
|  | 96   | Biscuit       |
|  | NY   | Dune          |
|  | 95   | Ice™ Grey     |
|  | 58   | Thunder™ Grey |
|  | 7    | Black Black™  |



**Recommended ADA Installation**



### Technical Information

All product dimensions are nominal.

|                     |  |
|---------------------|--|
| Bowl configuration: | Single   |
| Installation:       | Undermount   |
| Bowl area (Only):   | Length: 15-1/4" (387 mm)<br>Width: 11-1/2" (292 mm)<br>Bowl depth: 5-1/8" (130 mm)<br>With overflow: Yes<br>Water depth: 3-7/16" (88 mm) |
| With overflow:      | Yes  |
| Drain hole:         | 1-3/4" (44 mm)   |
| Template:           | Undermount, 1372556-7, required, not included  |

### Notes

Install this product according to the installation instructions.

**NOTICE:** Countertop manufacturer or cutter must use the current product template available at [www.kohler.com](http://www.kohler.com), or by calling 1-800-4KOHLER. Kohler Co. is not responsible for cutout errors when the incorrect cutout template is used.

ADA, OBC, CSA B651 compliant when installed to the specific requirements of these regulations.