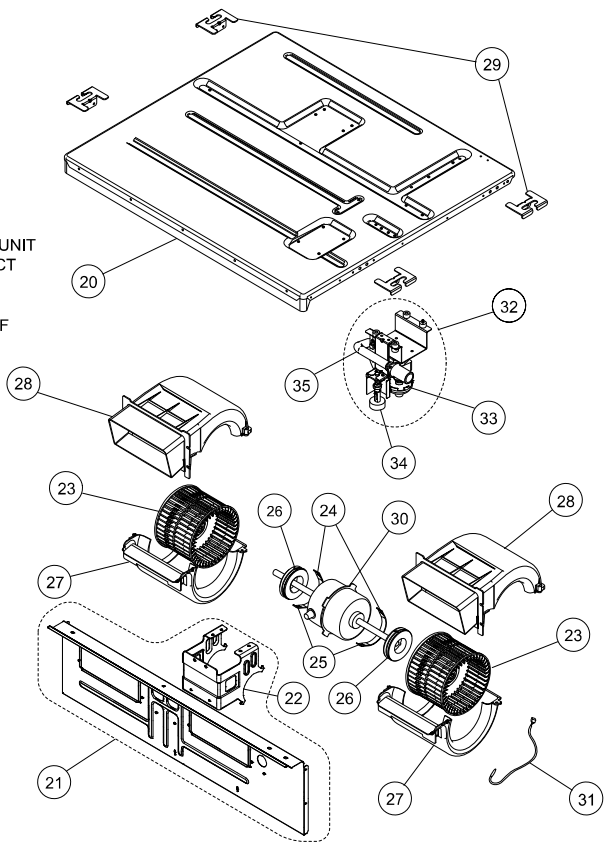


INDOOR UNIT
SLIM DUCT
ARU9RLF
ARU12RLF
(Serial number : T)
Refer to the service
bulletin RAC-0059

Ref	Description	Parts number	Ref	Description	Parts number
1	Pipe Panel Sub Assy	9379900003	11	Evaporater Total Assy	9364499581
2	Side Panel R Sub Assy	9379906005	11	Evaporator Assy	9372972076
3	Side Panel L Sub Assy	9379907002	12	Coupling Pipe Assy	9373038764
4	Outlet Frame Sub Assy	9379909006	13	Distributor Assy	9373034384
5	Panel (Window) Sub Assy	9379915007	14	Thermistor (Pipe)	9900498085
6	Cabinet Panel (2 Fan)	9379596008	16	Air Filter	9379574006
7	Fan Guard (2 Fan)	9379637008	17	Valve Cover Sub Assy	9379576000
8	Main Panel Sub Assy	9379902007	18	Front Panel (2 Fan)	9379593007
9	Cap (Drain)	9358746004	19	Cover Pipe Sub Assy	9380033004
10	Drain Pan Sub Assy	9379901000			

INDOOR UNIT
SLIM DUCT
(Type: T)
ARU9RLF
ARU12RLF



Ref	Description	Parts number	Ref	Description	Parts number
20	Top Panel Sub Assy	9379908009	28	Casing U	9379571005
21	Separator Sub Assy	9379898003	29	Hook Metal	9379889001
22	Motor Mount	9379612005	30	Fan Motor Assy	9602967018
23	Sirroco Fan Assy	9379570015	31	Thermistor (Room)	9703299247
24	Motor Band Assy	9379613002	32	Drain Pump Sub Assy	9379914000
25	Motor Band	9379614009	33	Pump Assy	9900472047
26	Rubber (Vibration Proof)	9379644006	34	Float Switch	9900465032
27	Casing B	9379572002	35	Drain Hose Assy	9379913003

INDOOR UNIT
 SLIM DUCT
 ARU9RLF
 ARU12RLF
 (Type : T)

Ref	Description	Parts number
100	Control Box Assy	9380041016
101	Control Cover Sub Assy	9379806022
103	PCB Holder	9379402019
105	Controller PCB (9)	9707393675
105	Controller PCB (12)	9707393682
106	Power Supply PCB	9707398243
110	Terminal 3P	9306489045
111	Terminal 3P (Wired Remote)	9703345012
112	Reactor Assy	9707457018
113	Cap (Power)	9352173011
114	One-touch Bush	9374407019
-	Fuse 250V 3.15A (Power Supply PCB F101)	0600470012

