

Features

- No faucet holes; requires wall- or counter-mount faucet
- Brass drain and color-matched brass drain cover
- With overflow
- Rectangular basin

Material

- Vitreous china

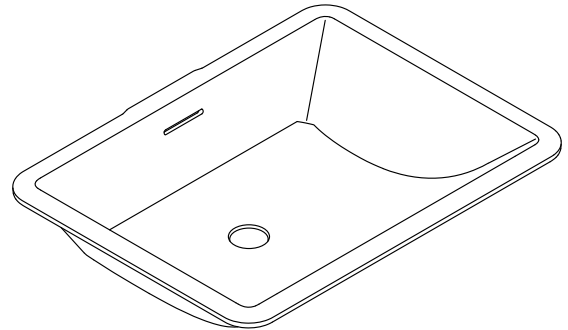
Installation

- Undermount

Included Components

Additional Components:

1377123-* Drain Assembly



ADA

CSA B651

OBC

Codes/Standards

ASME A112.19.2/CSA B45.1

ADA

ICC/ANSI A117.1

CSA B651

OBC


KOHLER® One-Year Limited Warranty

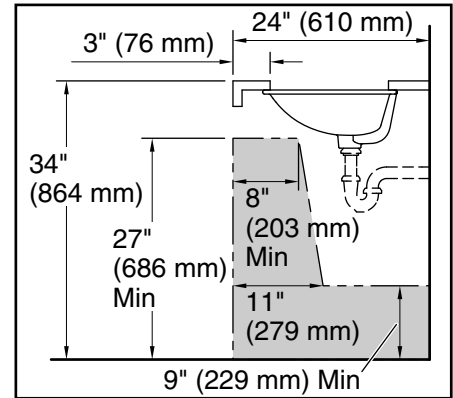
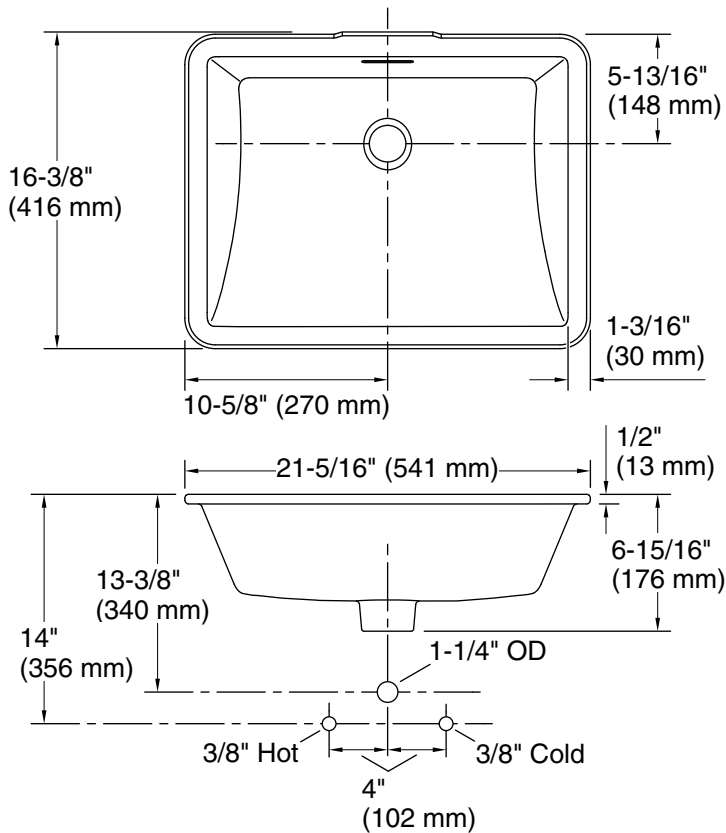
See website for detailed warranty information.

Available Colors/Finishes

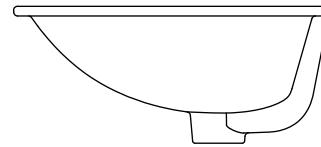
Color tiles intended for reference only.

Color	Code	Description
-------	------	-------------

	0	White
---	---	-------



Recommended ADA Installation



Technical Information

All product dimensions are nominal.

Installation:	Undermount
Bowl area (Only):	Length: 19" (482 mm) Width: 13-7/8" (352 mm) Bowl depth: 5-1/8" (130 mm)
Drain hole:	1-3/4" (45 mm)
Template:	1483028-7, required, included

Notes

Install this product according to the installation instructions.

ADA, OBC, CSA B651 compliant when installed to the specific requirements of these regulations.